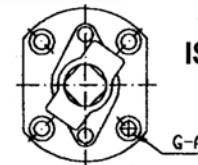
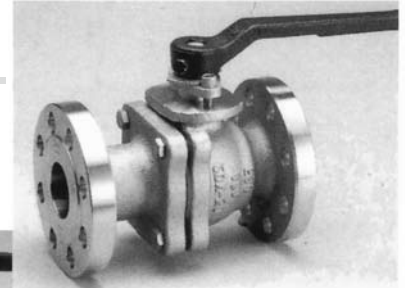
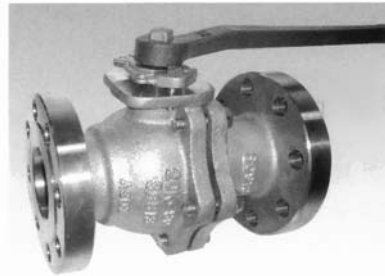


# KE-8125

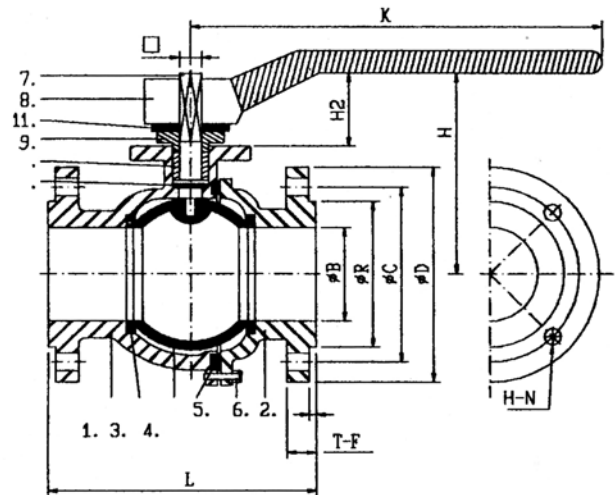
## 2-PC TYPE BALL VALVES, FLANGED ENDS

FLANGED JIS 20K, ANSI 300LB, BULL PORT  
 MATERIAL: CF8, CF8M & C.S. WCB  
 SIZE: 1/2" thru 12" (DN15~DN300)



ISO 5211 MOUNTING PAD

MATERIALS LIST				
ITEM	PART NAME	MATERIAL		
1	BODY	WCB	CF8	CF8M
2	END CAP	WCB	CF8	CF8M
3	SEATS	TEFLON	TEFLON	EFLON
4	BALL	SUS 304	SUS 304	SUS 316
5	JOINT GASKET	TEFLON	TEFLON	TEFLON
6	GLAND BOLT	SS41	SUS 304	SUS 316
7	STEM	SUS 304	SUS 304	SUS 316
8	HANDLE	CAST IRON	CAST IRON	CAST IRON
9	GLAND FLANGE	SUS 304	SUS 304	SUS 316
10	GLAND PACKING	TEFLON	TEFLON	TEFLON
11	TRAVEL STOPPER	SS41	SUS 304	SUS 316
12	GASKET	TEFLON	TEFLON	TEFLON



SIZE		B	D		T		R		F		C		H		N		L	K	H1	H2	□	A	G
			300LB	20K	300LB	20K	300LB	20K	300LB	20K	300LB	20K	300LB	20K	300LB	20K							
DN15	1/2"	15	95	95	14	14	35.1	52	1	1	66.7	70	15	15	4	4	140	175	85	38	12	M6	50
DN20	3/4"	20	117	100	15	16	43	58	1	1	82.5	75	19	15	4	4	152	175	85	38	12	M6	50
DN25	1"	25	124	125	18	16	50.8	70	1	1	88.9	90	19	19	4	4	165	175	88	38	12	M6	50
DN32	1-1/4"	32	133	135	18	16	-	80	2	2	98.4	100	19	19	4	4	178	175	95	38	12	M6	50
DN40	1-1/2"	40	158	140	20	18	73.2	85	2	2	114.3	105	19	19	4	4	190	230	115	40	16	M8	70
DN50	2"	50	165	155	22.5	18	92	100	2	2	127	120	22	19	8	8	216	230	120	42	16	M8	70
DN65	2-1/2"	64	190	175	22.5	20	104.7	120	2	2	149	140	22	19	8	8	241	340	142	45	19.5	M10	102
DN80	3"	80	210	200	28.6	22	127	135	2	2	168	160	22	23	8	8	283	340	170	55	19.5	M10	102
DN100	4"	100	254	225	31.8	24	157.2	160	2	2	200	185	22	23	8	8	305	340	187	55	19.5	M10	102
DN125	5"	125	279	270	35	26	-	195	2	2	235	225	22	25	8	8	381	700	220	58	25	M12	125
DN150	6"	150	318	305	36.8	28	215.9	230	2	2	270	260	22	25	12	12	403	700	250	58	25	M12	125
DN200	8"	200	381	350	41.3	30	269.8	275	2	2	330	305	25	25	12	12	502	700	280	58	25	M12	125
DN250	10"	250	444	430	47.7	34	323.9	345	2	2	387	380	29	27	16	12	568	800	350	70	35	M16	140
DN300	12"	300	521	480	50.8	36	381	395	3	3	451	430	32	27	16	16	648	950	390	70	35	M16	140