

# KE-8241

## 3-WAY TYPE BALL VALVES, SCREWED ENDS

MATERIAL: S.S.316, INVESTMENT CASTING  
 STANDARD PORT, (90 DEGREE)  
 SIZE: 1/4" THRU 2"

### TEST PRESSURE

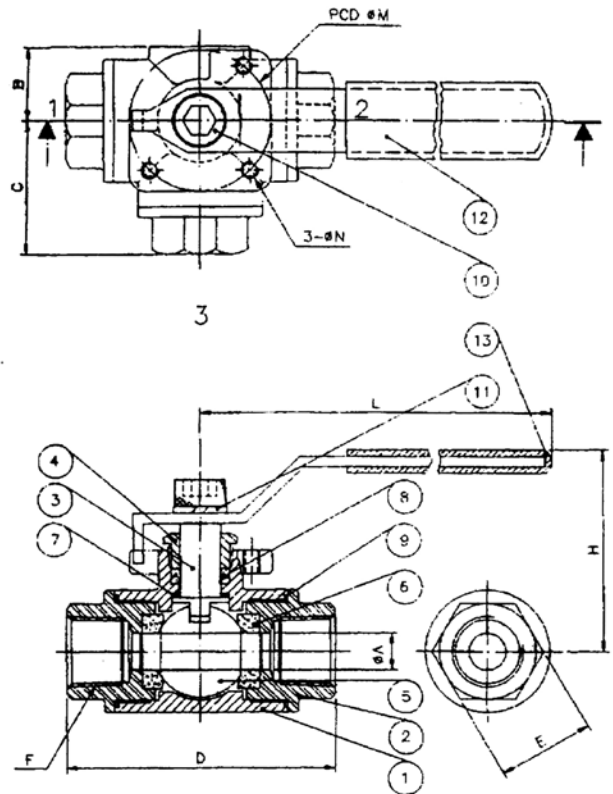
1. WORKING PRESSURE: 56.3 KG/CM<sup>2</sup>
2. BALL SEAT TEST: 6.0 KG/CM<sup>2</sup> BY AIR
3. BODY TEST: 84.50 KG/CM<sup>2</sup> BY HYDROSTATIC



POSITION	1	2	3	4
L PORT				
T PORT				

### MATERIALS LIST

No.	PART NAME	Q'TY	MATERIAL
1	BODY	1	SS-316
2	CAP	3	SS-316
3	STEM	1	SS-316
4	GLAND NUT	1	SS-304
5	BALL	1	SS-316
6	SEAT	4	REINFORCED PTFE
7	THRUST WASHER	1	PTFE
8	PACKING	1	PTFE
9	JOINT GASKET	3	PTFE
10	STEM BOLT	1	SS 304
11	WASHER	1	SS 304
12	HANDLE	1	SS 304
13	PLASTIC COVER	1	PLASTIC



### DIMENSIONS

Unit:mm

SIZE	A	B	C	D	E	H	L	M	N	F
Inch										
1/4"	9.5	22	39.5	79	28.5	66	158	42	M5x0.8	NPT/ISO228 PT/DIN2999
3/8"	9.5	22	39.5	79	28.5	66	158	42	M5x0.8	NPT/ISO228 PT/DIN2999
1/2"	12	22	39.5	79	28.5	66	158	42	M5x0.8	NPT/ISO228 PT/DIN2999
3/4"	15	28	44	88	34.5	77	158	50	M6x1.0	NPT/ISO228 PT/DIN2999
1"	20	31	54	108	41	78	185	50	M6x1.0	NPT/ISO228 PT/DIN2999
1-1/4"	25	34	62	124	52	90	210	50	M6x1.0	NPT/ISO228 PT/DIN2999
1-1/2"	32	40	67.5	135	58	98	235	70	M8x1.25	NPT/ISO228 PT/DIN2999
2"	40	48	82	164	73	98	235	70	M8x1.25	NPT/ISO228 PT/DIN2999