

KE-8244

4-WAY TYPE BALL VALVES, SCREWED ENDS

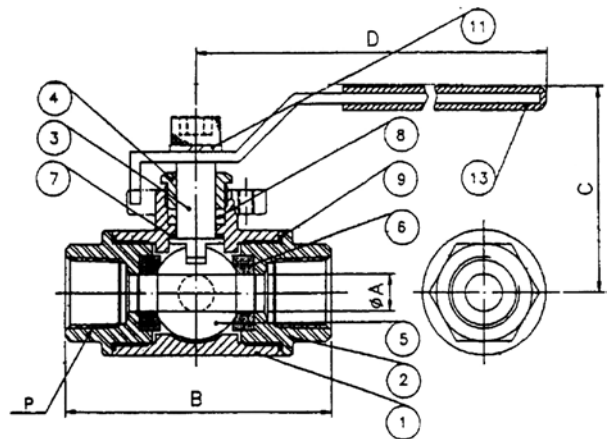
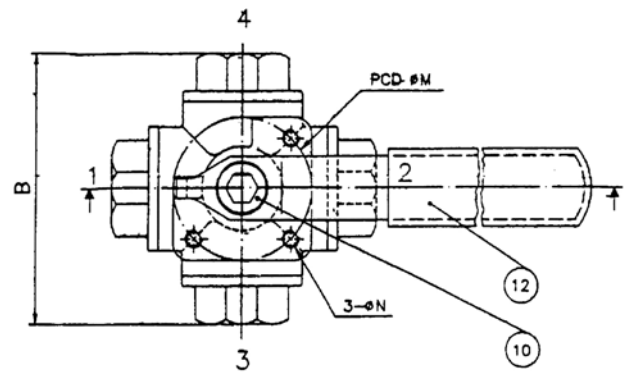
MATERIAL: S.S. 316, INVESTMENT CASTING
 STANDARD PORT
 SIZE: 1/4" THRU 2"

TEST PRESSURE

1. WORKING PRESSURE: 70.3 KG/CM²
2. BALL SEAT TEST: 6.0 KG/CM² BY AIR
3. BODY TEST: 105 KG/CM² BY HYDROSTATIC



MATERIALS LIST			
No.	PART NAME	Q'TY	MATERIAL
1	BODY	1	SS 316
2	CAP	4	SS 316
3	STEM	1	SS 316
4	GLAND NUT	1	SS 304
5	BALL	1	SS 316
6	SEAT	4	REINFORCED PTFE
7	THRUST WASHER	1	PTFE
8	PACKING	1-2	PTFE
9	GASKET	4	PTFE
10	STEM BOLT	1	SS 304
11	WASHER	1	SS 304
12	HANDLE	1	SS 304
13	PLASTIC COVER	1	PLASTIC



DIMENSIONS							Unit:mm
SIZE	A	B	C	D	M	N	P
Inch							
1/4"	9.5	79	62.5	155	42	M5x0.8	NPT/ISO228 PT/DIN2999
3/8"	9.5	79	62.5	155	42	M5x0.8	NPT/ISO228 PT/DIN2999
1/2"	12	79	62.5	155	42	M5x0.8	NPT/ISO228 PT/DIN2999
3/4"	15	88	74.5	155	50	M6x1.0	NPT/ISO228 PT/DIN2999
1"	20	108	82	185	50	M6x1.0	NPT/ISO228 PT/DIN2999
1-1/4"	25	124	89	185	50	M6x1.0	NPT/ISO228 PT/DIN2999
1-1/2"	32	135	90	230	70	M8x1.25	NPT/ISO228 PT/DIN2999
2"	40	164	100	230	70	M8x1.25	NPT/ISO228 PT/DIN2999

