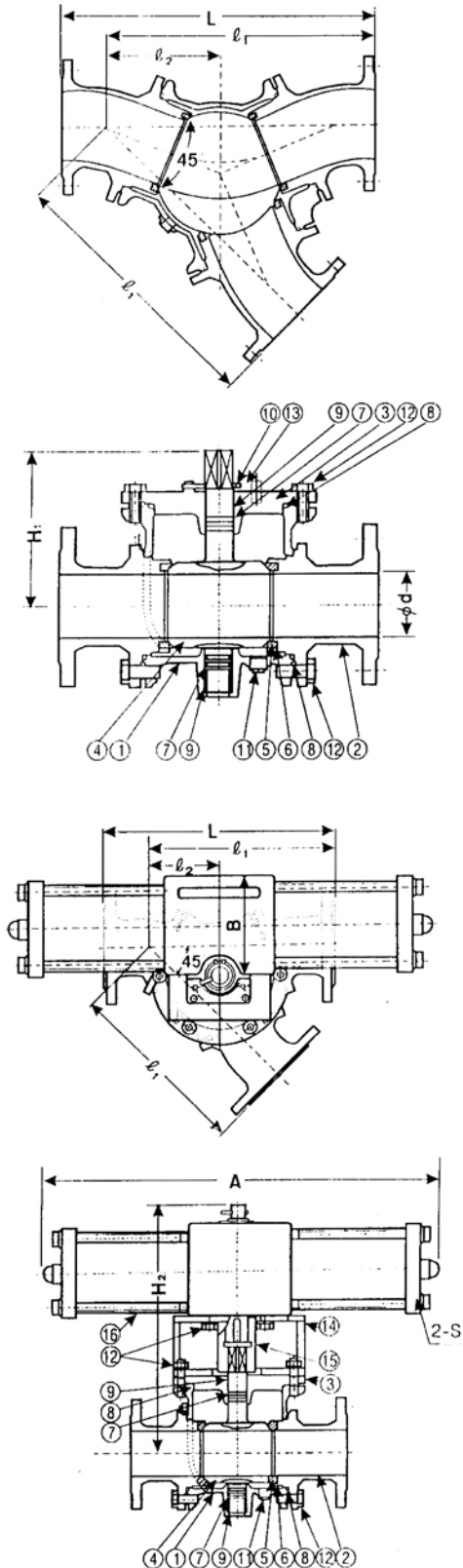
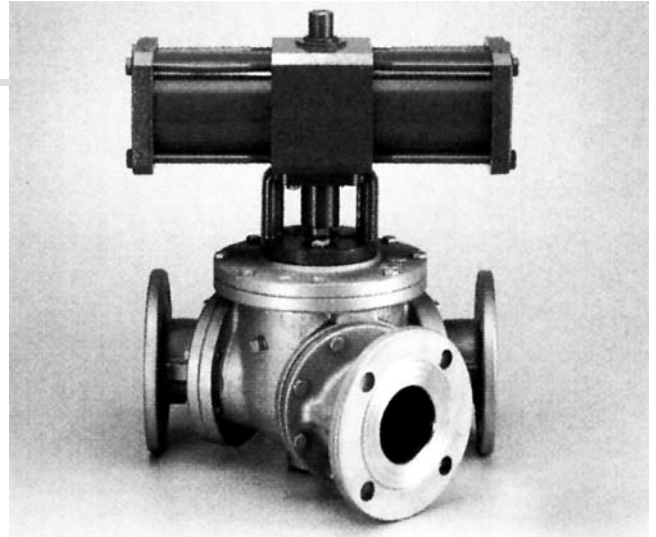


KE-8341

BALL TYPE DIVERTER VALVES, FLANGED ENDS

MATERIAL: S.S. 316/S.S. 304
 SIZE: DN50 THRU DN250
 OPERATOR: CYLINDER



MATERIALS LIST

NO.	PART NAME	MATERIAL
1	BODY	S.S.304/316
2	BODY CAP	S.S.304/316
3	TOP FLANGE	S.S.304/316
4	BALL	S.S.304/316
5	BACK SEAT	TEFLON
6	BACK RING	SILICON
7	O-RING	NBR OR VITON
8	O-RING	NBR OR VITON
9	BEARING	AL+PTFE
10	STOPPER	S.S.304
11	PLUG	S.S.304
12	BOLT	S.S.304
13	STOPPER PIN	S.S.304
14	FRAME	WCB
15	JOINT	SS41
16	ACTUATOR	AL ALLOY

DIMENSIONS

Unit:mm

SIZE	d	L	L1	L2	H1	H2	A	S	Cylinder SIZE
2"	50	280	224	84	145	330	500	PT ³ / ₈ "	AC100
2 ¹ / ₂ "	65	320	264	104	160	365	500	PT ³ / ₈ "	AC100
3"	75	360	291	111	175	375	500	PT ³ / ₈ "	AC100
4"	100	460	385	154	210	435	600	PT ³ / ₈ "	AC125
5"	125	560	483	203	245	505	700	PT ³ / ₈ "	AC150
6"	150	660	547	227	275	510	700	PT ³ / ₈ "	AC180
8"	200	800	677	277	320	580	700	PT ³ / ₈ "	AC180
10"	250	960	810	330	385	650	1110	PT ³ / ₈ "	AC200