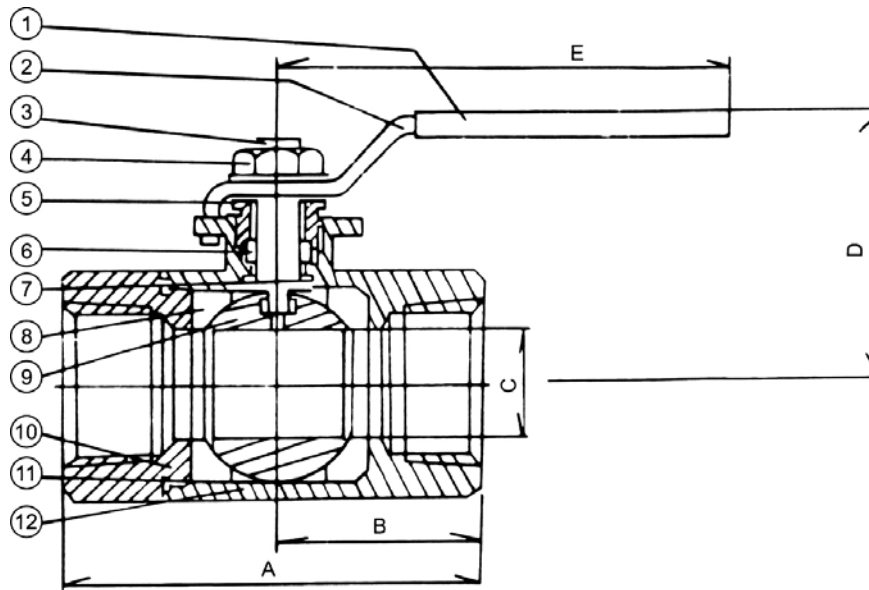
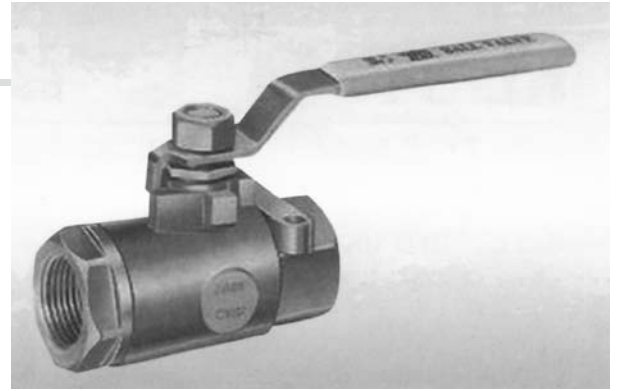


KE-8423A

2-PC TYPE BALL VALVE, SCREWED ENDS

MATERIAL: S.S. 316 & CARBON STEEL
 STANDARD PORT, 1500/2000 PSI WOG,
 SIZE: 1/4" thru 1" (2000 PSI WOG)
 SIZE: 1-1/4" thru 2" (1500 PSI WOG)



MATERIAL LIST

NO.	PARTS NAME	MATERIAL	
		S.S.	C.S.
1	PLASTIC COVER	VINYL PLASTIC	VINYL PLASTIC
2	HANDLE	S.S. 304	C.S. PLATED
3	STEM	S.S. 316	C.S. PLATED
4	HANDLE NUT	S.S. 304	S.S. 304
5	GLAND NUT	S.S. 316	C.S. PLATED
6	PACKING	PTFE	PTFE
7	THRUST WASHER	PTFE	PTFE
8	SEAT	PTFE + GLASS FIBRE	
9	BALL	S.S. 316	C.S. PLATED
10	END CAP	S.S. 316	WCB
11	GAKSET	PTFE	PTFE
12	BODY	S.S. 316	WCB

DIMENSIONS

Unit:mm

SIZE	A	B	C	D	E
1/4"	54	25	11	44	97
3/8"	54	25	13	44	97
1/2"	57	21	13	44	97
3/4"	76	38	17	52	103
1"	86	43	22	56	103
1-1/4"	102	50	25	67	141
1-1/2"	111	56	32	71	141
2"	137	63	68	76	141