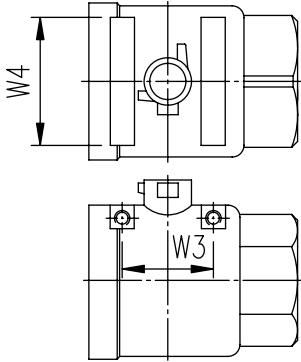


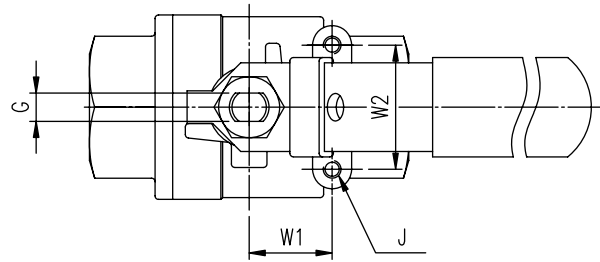
# KE-8423F

## 2-PC BALL VALVES, SCREWED ENDS,

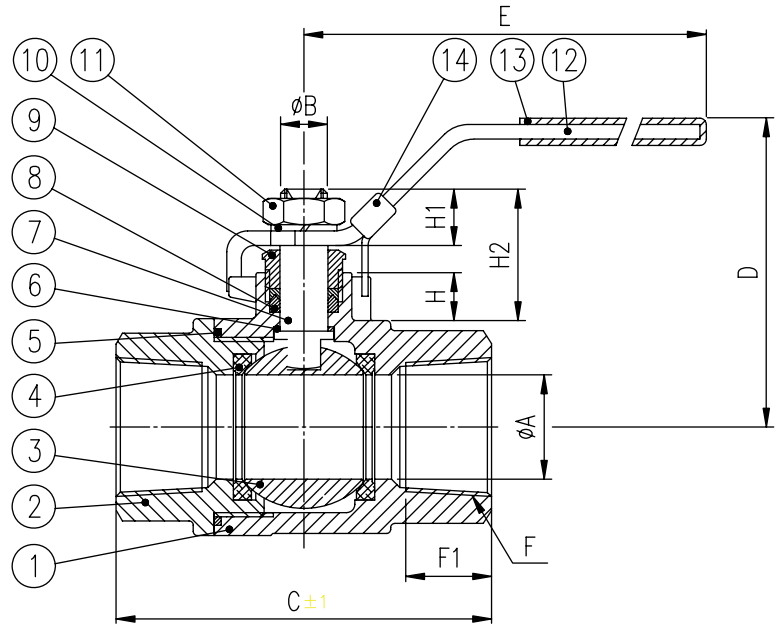
MATERIAL: CF8M  
 FULL PORT, 1000 PSI WOG  
 SIZE: 1/8" thru 3"



TOP MOUNTING LOCATION FOR 2-1/2"~3"



MATERIAL LIST			
NO.	PART NAME	Q'TY	MATERIAL
1	BODY	1	CF8M
2	END CAP	1	CF8M
3	BALL	1	SS316
4	SEAT	2	PTFE/RTFE
5	JOINT GASKET	1	PTFE
6	THRUST WASHER	1	PTFE
7	STEM	1	SS316
8	GLAND PACKING	1SET	PTFE
9	GLAND BUSH	1	SS304
10	STEM WASHER	1	SS304
11	STEM NUT	1	SS304
12	HANDLE	1	SS304
13	HANDLE COVER	1	VINYL
14	LOCKING DEVICE	1	SS304



DIMENSIONS															Unit:mm	
SIZE	$\phi A$	$\phi B$	C	D	E	F1	F	G	H	H1	H2	W1	W2	W3	W4	
1/8"	8	8	55	50	100	10	1/8" PF-NPT-PT	5	8	9.8	22.3	12.7	28.5	---	---	
1/4"	11.5	8	55	50	100	15	1/4" PF-NPT-PT	5	8	9.8	22.3	12.7	28.5	---	---	
3/8"	12.5	8	55	50	100	15	3/8" PF-NPT-PT	5	8	9.8	22.3	12.7	28.5	---	---	
1/2"	15	9.5	65	60	130	16	1/2" PF-NPT-PT	6.5	10.5	11	25.6	12.7	28.5	---	---	
3/4"	20	9.5	74.6	64	130	17	3/4" PF-NPT-PT	6.5	10.5	11	25.6	22.4	35	---	---	
1"	25	11	88	71	165	20.4	1" PF-NPT-PT	8	11.5	13.5	31.5	23.4	35	---	---	
1-1/4"	32	11	102	78	165	22	1-1/4" PF-NPT-PT	8	11.5	13.5	31.5	25.4	38.1	---	---	
1-1/2"	38	14	110	86	190	22.5	1-1/2" PF-NPT-PT	9.7	12	15.6	35.1	25.4	38.1	---	---	
2"	50	14	125	95	190	26	2" PF-NPT-PT	9.7	9.5	15.6	30.6	25.4	38.1	---	---	
2-1/2"	65	19	160.6	130	250	31	2-1/2" PF-NPT-PT	12	17	24.5	54.2	---	---	59	61	
3"	80	19	178	148	250	34	3" PF-NPT-PT	12	18	24.5	54.2	---	---	70	71	