

KE-8423R

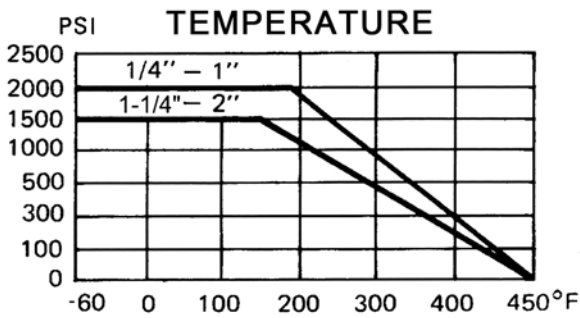
2-PC TYPE BALL VALVES, SCREWED ENDS

MATERIAL: S.S. 316

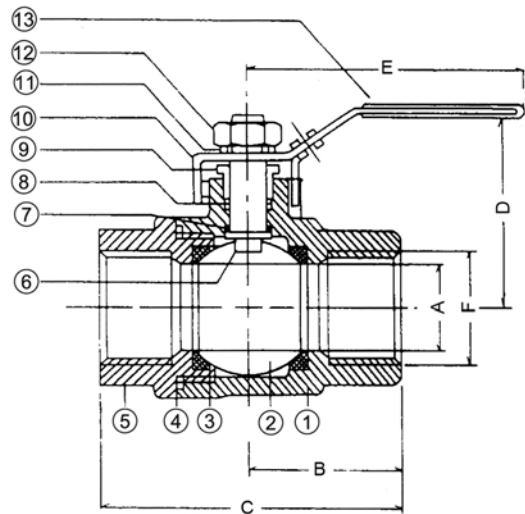
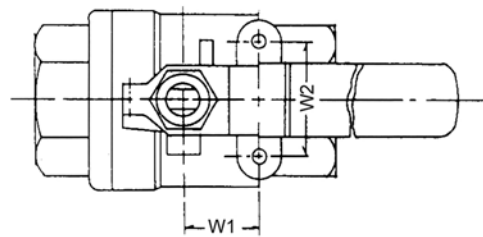
STANDARD PORT

SIZE: 1/4~1"(2000 PSI WOG)

SIZE: 1-1/4~2"(1500 PSI WOG)



MATERIALS LIST			
No.	PART NAME	QTY	MATERIAL
1	BODY	1	ASTM A351 GR. CF8M
2	BALL	1	ASTM A351 GR. CF8M
3	SEAT	2	PTFE
4	JOINT GASKET	1	TEFLON
5	END CAP	1	ASTM A351 GR. CF8M
6	STEM	1	SS316
7	THRUST WASHER	1	PTFE
8	STEM PACKING	1	TEFLON
9	GLAND NUT	1	SS304
10	HANDLE	1	SS304
11	STEM WASHER	1	SS304
12	STEM NUT	1	SS304
13	PLASTIC COVER	1	PLASTIC
14	LOCKING DEVICE	1	SS304



DIMENSIONS										Unit:mm
SIZE	A	B	C	D	E	W1	W2	H	F	
1/4"	9.7	27.5	51	50	100	12.7	28.5	10-24 UNC	1/4" NPT, BSP, DIN	
3/8"	11.6	27.5	51	50	100	12.7	28.5	10-24 UNC	3/8" NPT, BSP, DIN	
1/2"	12.7	32	51	50	100	12.7	28.5	10-24 UNC	1/2" NPT, BSP, DIN	
3/4"	15	37.5	68	53	130	22.4	36	10-24 UNC	3/4" NPT, BSP, DIN	
1"	20	43.5	83	64	130	22.4	36	10-24 UNC	1" NPT, BSP, DIN	
1-1/4"	25.4	51	90	66	165	22.4	36	1/4-20 UNC	1-1/4" NPT, BSP, DIN	
1-1/2"	32	55	104	79	165	25.4	38.1	1/4-20 UNC	1-1/2" NPT, BSP, DIN	
2"	38.1	63	117	83	190	25.4	38.1	1/4-20 UNC	2" NPT, BSP, DIN	