

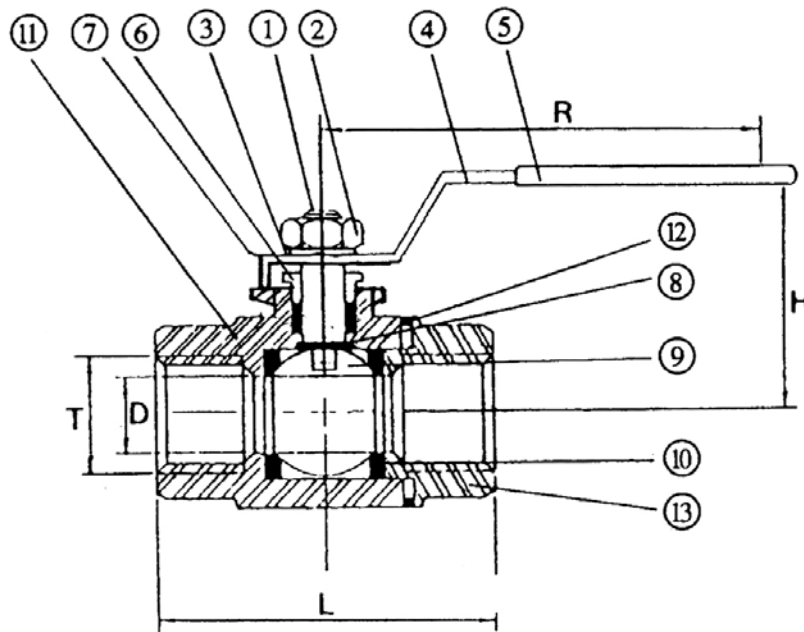
# KE-8425

## 2-PC TYPE BALL VALVE, SCREWED ENDS

MATERIAL: S.S. 316 (INVESTMENT CASTING)

FULL PORT, 1000 WOG

SIZE: 1/4" thru 4"



MATERIAL LIST			
NO.	PART NAME	Q'TY	MATERIAL
1	STEM	1	306
2	STEM NUT	1	304
3	WASHER	1	304
4	HANDLE	1	304
5	COVER	1	PLASTIC
6	GLAND NUT	1	304
7	STEM PACKING	1	PTFE
8	THRUST WASHER	1	PTFE
9	BALL	1	316
10	SEAT	2	PTFE
11	BODY	1	316
12	PACKING	1	PTFE
13	BODY CAP	1	316

DIMENSIONS				
SIZE	D	L	H	R
1/4"	11.5	50	40	104
3/8"	12.7	50	40	104
1/2"	15	58	45	104
3/4"	20	64	48	104
1"	25.4	74	59	118
1-1/4"	32	85	64	118
1-1/2"	38	97	78	158
2"	50.8	115	86	158
2-1/2"	58	140	106	220
3"	65	155	113	220
4"	100	194	146	220