

KE-8428

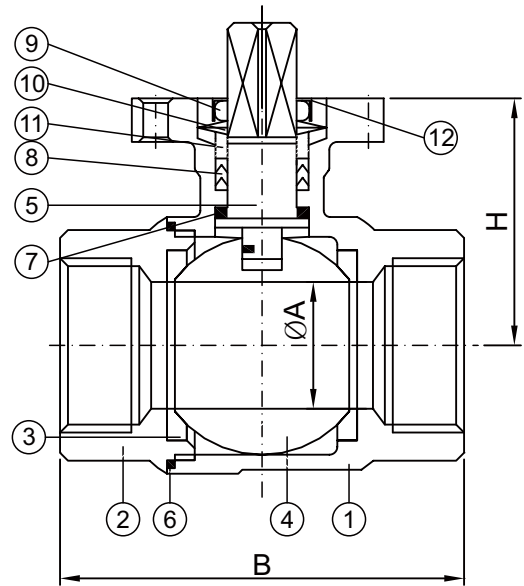
2-PC TYPE BALL VALVES, SCREWED ENDS

MATERIAL: S.S. 316 & C.S. WCB.
 FULL PORT, 1000 PSI WOG
 SIZE: 1/4" thru 4"



MATERIALS LIST

ITEM	PART NAME	Q'TY	MATERIAL	
			316	WCB
1	BODY	1	CF8M	WCB
2	END CAPS	1	CF8M	WCB
3	SEATS	2	PTFE	PTFE
4	BALL	1	SUS 316	SUS 304
5	STEM	1	SUS 316	SUS 304
6	JOINT GASKET	1	PTFE	
7	GASKET	1	PTFE & 50% SUS	
8	SEAT	1	PTFE	PTFE
9	LEVER NUT	2	SUS 304	SUS 304
10	BELLEVILLE	1	SUS 301	SUS 301
11	PACKING GLAND	1	SUS 304	SUS 304
12	LOCK WASHER	1	SUS 304	SUS 304



DIMENSIONS

SIZE	Unit:mm							
	A	B	C	H	O	P	Q	ISO 5211
Inch	mm	mm	mm	mm	mm	mm	mm	mm
1/4"	10	55	36	39.5	9	11	9	F03
3/8"	12.5	55	36	39.5	9	11	9	F03
1/2"	15	60	44	39.5	9	11	9	F03/F04
3/4"	20	70	44	42.5	9	11	9	F03/F04
1"	25	80	50	50.6	11	14	11	F04/F05
1-1/4"	32	95	50	55.8	11	14	11	F04/F05
1-1/2"	38	105	70	66.5	14	18	14	F05/F07
2"	50	120	70	74.5	14	18	14	F05/F07
2-1/2"	65	160	98	113.0	17	22	19	F07/F10
3"	80	178	98	124.0	17	22	19	F07/F10
4"	100	230	105	138.0	22	28	24	F10/F12

