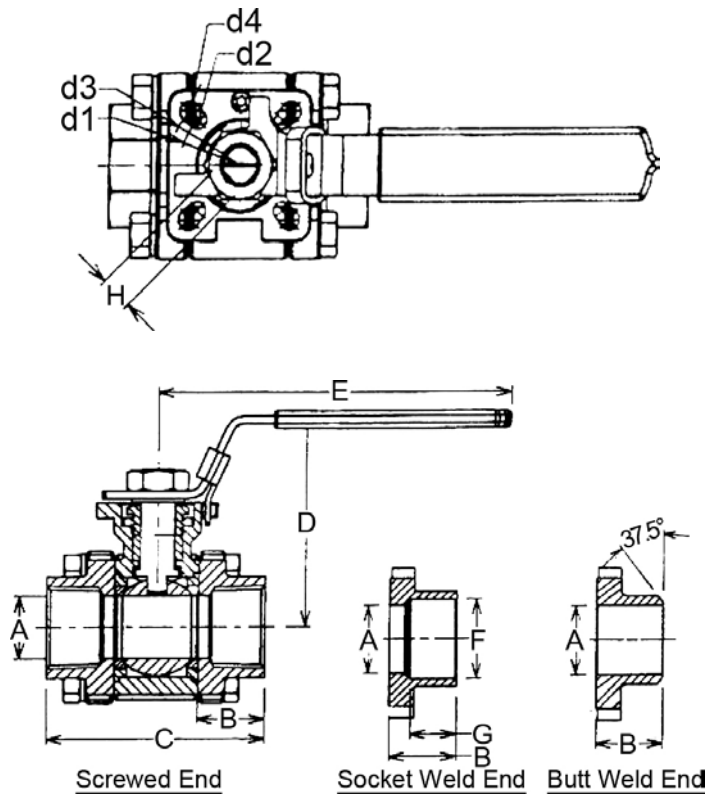
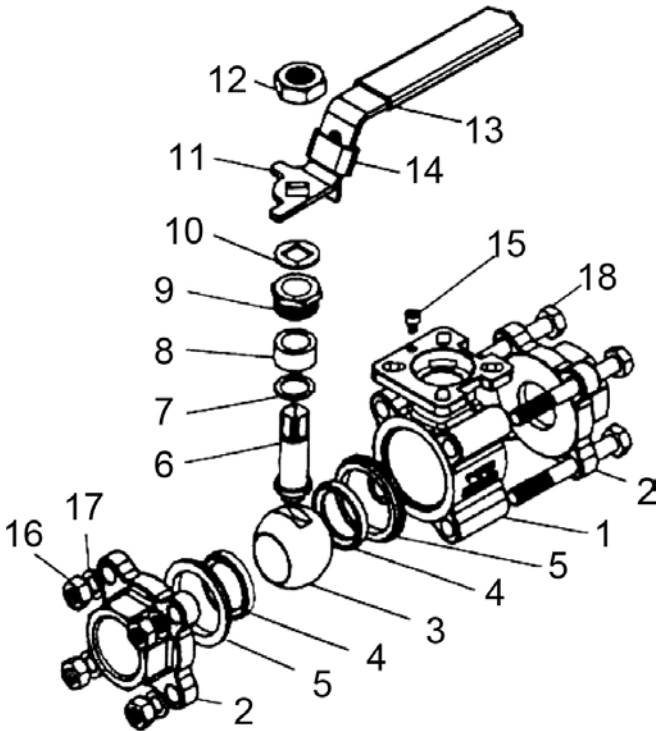


KE-8431

3-PC BALL VALVES, SCREWED ENDS, BUTTWELD ENDS & SOCKET ENDS

MATERIAL: CF8M/ CS WCB
 SIZE: 1/4" thru 4"
 FULL PORT
 WORKING PRESSURE:
 1/4"~2" 2000WOG
 2-1/2"~4" 1500WOG



MATERIAL LIST			
NO.	PARTS NAME	MATERIAL	
1	BODY	CF8M	WCB
2	CAP	CF8M	WCB
3	BALL	CF8M	
4	BALL SEAT	PTFE	
5	JOINT GASKET	PTFE	
6	STEM	AISI 316	
7	THRUST WASHER	PTFE	
8	STEM PACKING	PTFE	
9	GLAND NUT	AISI 304	
10	STEM WASHER	AISI 304	
11	HANDLE	AISI 304	
12	STEM NUT	AISI 304	
13	HANDLE COVER	PLASTIC	
14	LOCKING DEVICE	AISI 304	
15	STOP PIN	AISI 304	
16	BOLT NUT	AISI 304	
17	BOLT WASHER	AISI 304	
18	BOLT	AISI 304	

DIMENSIONS								
	Unit:mm							
SIZE	1/4"	3/8"	1/2"	3/4"	1"	1-1/4"	1-1/2"	2"
A	9.6	9.6	15	20	25	32	38	50
B	20	20	20	22	31	32.3	33.6	33.3
C	60.4	60.4	70	79.4	89	101.6	120.8	136.6
D	77	77	77	81	84	96	110	122
E	118	118	118	118	140	190	190	190
F	13.8	17.3	21.5	25.7	27	29.1	35.3	33.8
G	11.1	11.1	12.7	14.3	15.9	17.5	19.1	22.2
H	9	9	9	9	11	11	11	14
d1	36	36	36	36	42	42	42	50
d2	6	6	6	6	6	6	6	7
d3	42	42	42	42	50	50	50	70
d4	6	6	6	6	7	7	7	9
ISO 5211	F03 / F04			F04 / F05			F05 / F07	