

# KE-8436

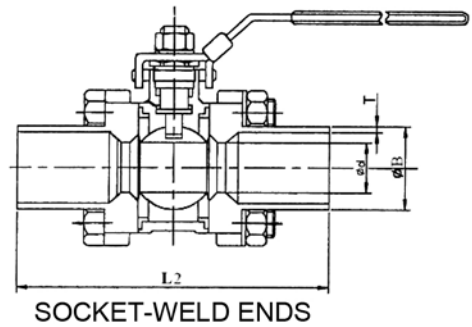
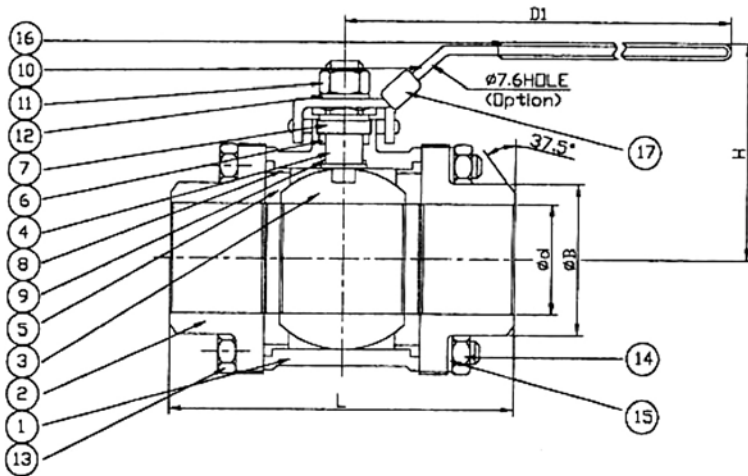
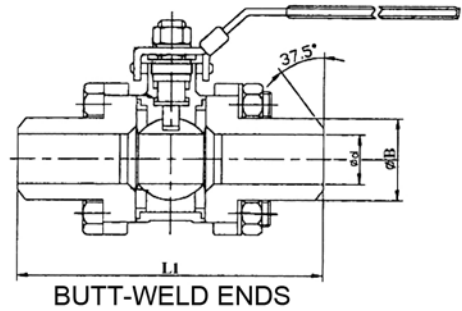
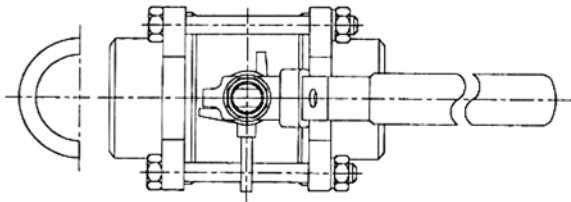
## 3-PC BALL VALVES, SCREWED ENDS, BUTTWELD ENDS & SOCKET ENDS

MATERIAL: CF8M/ CS WCB

SIZE: 1/4" thru 4"

FULL PORT

WORKING PRESSURE: 1/4"~2" 2000WOG  
2-1/2"~4" 1500WOG



### MATERIALS LIST

NO.	PART NAME	MATERIAL	NO.	PART NAME	MATERIAL
1	BODY	CF8M WCB	10	HANDLE	SS 304
2	CAP	CF8M WCB	11	HANDLE NUT	SS 304
3	BALL	CF8M CF8M	12	SPRING WASHER	SS 304
4	STEM	A276 Gr. 316	13	BOLTS	A193 Gr. B8
5	SEAT	PTFE	14	BOLT NUTS	A194 Gr. B
6	PACKING	PTFE	15	BOLT WASHER	SS 304
7	GLAND	SS 304	16	HANDLE SLEEVE	VINYL GRIP
8	END SEALS	PTFE	17	LOCKING PLATE	SS 304
9	THRUST WASHER	PTFE			

### DIMENSIONS

SIZE	$\phi d$	L	L1	L2	H	D1	B	T	Unit: mm
1/4"	11	60.5	---	---	57.2	105	17.2	---	
3/8"	12.5	60.5	225	160	57.2	105	17.2	1.6	
1/2"	15	65.5	225	180	59.1	105	21.3	1.6	
3/4"	20	77.6	225	180	62.6	105	26.9	1.6	
1"	25	83.5	245	192	70.7	128	33.7	1.8	
1-1/4"	32	102.5	255	205	76.2	128	42.4	2	
1-1/2"	38	117.6	260	230	89.1	154	48.3	2	
2"	50	130.2	275	243	98.2	194	60.3	2.5	
2-1/2"	65	158.6	334	294	110.6	194	76.1	3	
3"	80	177.8	354	320	124.0	276	88.9	3	
4"	100	225.2	365	357	168.5	335	114.3	3	