

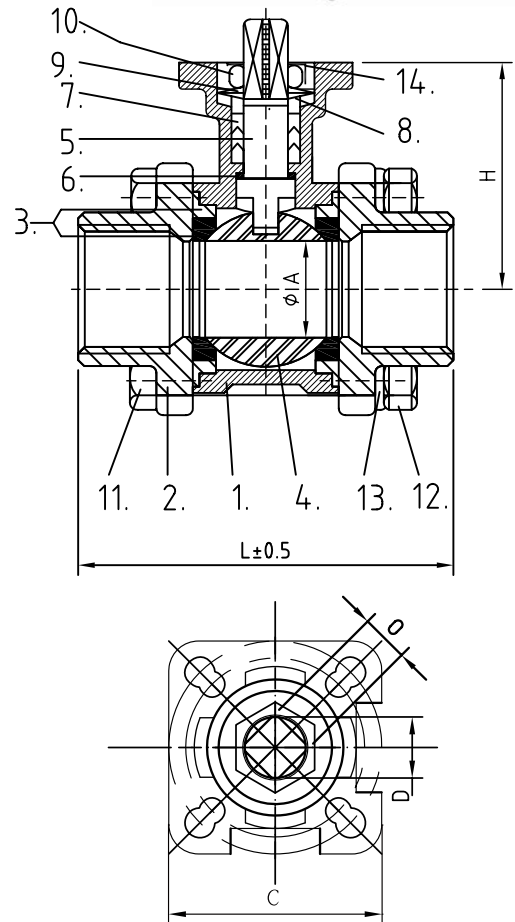
KE-8438

3-PC TYPE BALL VALVES

WITH DIRECT ASSEMBLY ISO 5211 TOP FLANGE
 MATERIAL: S.S. 316 & C.S. WCB.
 SCREWED ENDS, BUTT-WELD &
 SOCKET WELD ENDS
 FULL PORT, 1000 PSI WOG
 SIZE: 1/4" thru 4"



MATERIALS LIST				
ITEM	PART NAME	Q'TY	MATERIAL	
			316	WCB
1	BODY	1	CF8M	WCB
2	END CAPS	2	CF8M	WCB
3	SEATS	2	PTFE	PTFE
4	BALL	1	SUS 316	SUS 304
5	STEM	1	SUS 316	SUS 304
6	GASKET	1	PTFE	
7	SEAL	1	PTFE	
8	PACKING GLAND	1	SUS 304	
9	DISC SPRINGS	2	SUS 304	
10	NUT	1	SUS 304	
11	BOLTS	4	SUS 304	
12	BOLTS NUT	4	SUS 304	
13	SPRING WASHERS	4	SUS 304	
14	LOCK WASHER	1	SUS 304	



DIMENSIONS										Unit:mm
SIZE	A	L	H	W	ISO 5211	B		C	O	D
1/4"	10	55	50	100	F03	13	14	36	9	11
3/8"	12.5	55	50	100	F03	13	18	36	9	11
1/2"	15	65	53	100	F03/F04	17	22	44	9	11
3/4"	20	75	58	103	F03/F04	22	27.5	44	9	11
1"	25	85	70	158	F04/F05	28	34.5	50	11	14
1-1/4"	32	100	76	158	F04/F05	37	43	50	11	14
1-1/2"	38	110	88	183	F05/F07	43	49	70	14	18
2"	50	130	95	183	F05/F07	54	61.5	70	14	18
2-1/2"	65	160	135	243	F07/F10	72	77	98	17	22
3"	80	185	145	243	F07/F10	84	90	98	17	22
4"	100	220	165	328	F10/F12	109	115.5	115	22	28

