

KE-8192

BELLOW SEALED VALVE, FLANGED ENDS

KE-8192Y

Y-TYPE BELLOW SEALED VALVE, FLANGED ENDS

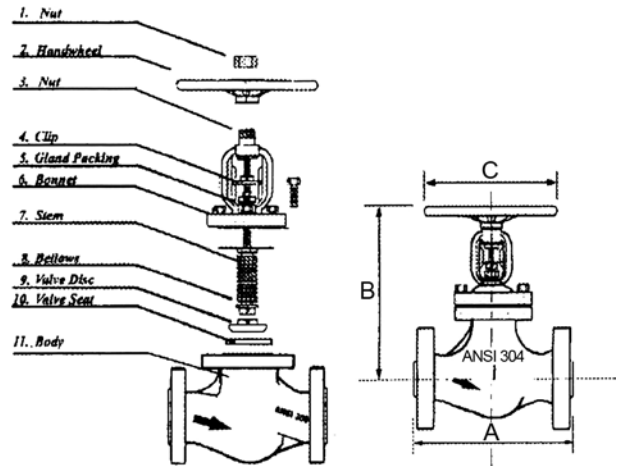
FLANGE ENDS: ANSI 150/ANSI 300, DIN PN 16/25/40
 MATERIAL: S.S.304 / S.S.316 / C.S. WCB
 SIZE: DN15 thru DN150



KE-8192

Fluids: Steam, Water, Air, Gas and Oil Systems.

Body Design	ANSI 150	ANSI 300	DIN PN16	DIN PN25	DIN PN40
Max. Op. Temp.(°C)	400	430	300	400	400
Max. Op. Pres.(Barg)	20	52	16	25	40
Hydr. Test(Brag)	35	80	25	60	65
for fluid of saturated steam system					
Max. Op. Temp.(°C)	200	270	195	216	238
Max. Op. Pres.(Barg)	14.5	43	13	21	32



MATERIALS LIST				
NO.	PAPT NAME	MATERIAL		
1	Nut	Steel	Steel	Steel
2	Handwheel	S.S.304	S.S.304	S.S.304
3	Nut	Bronze	Bronze	Bronze
4	Clip	S.S.304	S.S.304	S.S.304
5	Gland Packing	Graphite	Graphite	Graphite
6	Bonnet	Cast Steel	S.S.304	S.S.316
7	Stem	S.S.304/316	S.S.304/316	S.S.304/316
8	Bellows	S.S.304/316	S.S.304/316	S.S.304/316
9	Valve Disc	S.S.304/316	S.S.304/316	S.S.304/316
10	Valve Seat	S.S.304/316	S.S.304/316	S.S.304/316
11	Body	Cast Steel	S.S.304	S.S.316



KE-8192Y

DIMENSIONS						
Bore	A		B		C	Kv
	PN25/40	ANSI300	PN25/40	ANSI300		
15	130	152	180	180	110	4.2
20	150	178	180	180	110	7.5
25	160	203	190	190	110	12
40	200	229	210	230	130	30
50	230	267	220	240	130	48
65	290	292	260	290	180	77
80	310	318	290	320	180	120
100	350	350	360	395	220	188
125	400	400	380	415	220	290
150	480	444	400	465	280	410
200	600	559	485	570	330	725
250	730	622	515	690	360	1150
300	850	711	535	840	390	1636

