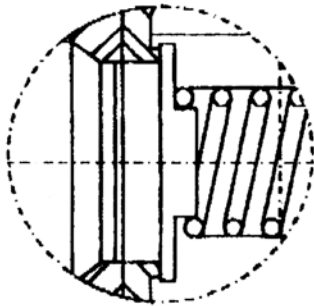


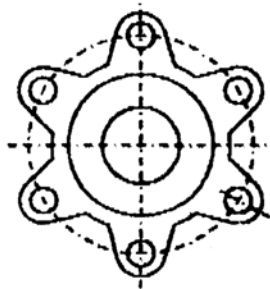
KE-8215

3-PC TYPE CHECK VALVES, SCREWED ENDS

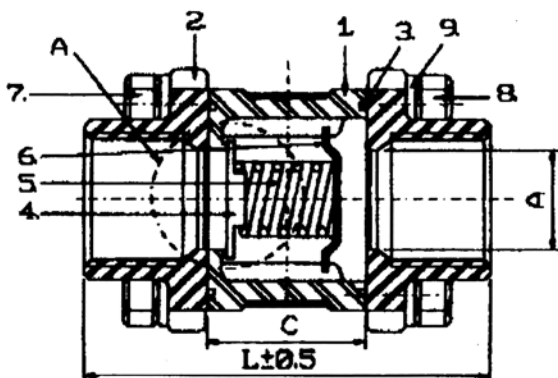
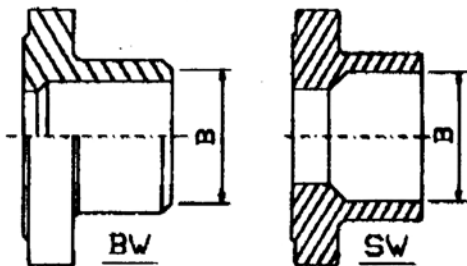
MATERIAL: S.S. 316 & C.S.WCB.
 SCREWED ENDS, BUTT-WELD &
 SOCKET WELD ENDS
 FULL PORT, 1000 PSI WOG,
 SIZE: 1/4" THRU 4"



A (12)



1/4"~2" 4 BOLTS & NUTS
 2-1/2"~4" 6 BOLTS & NUTS



MATERIALS LIST

ITEM	PAPTS	Q'TY	MATERIAL	
			316	WCB
1	BODY	1	CF8M	WCB
2	END CAPS	2	CF8M	WCB
3	JOINT GASKET	2	PTFE	PTFE
4	DISC	1	SUS316	SUS316
5	SPRING	1	SUS316	SUS316
6	CAP	1	SUS316	SUS316
7	BOLTS	4	SUS304	SUS304
8	BOLTS NUTS	4	SUS304	SUS304
9	SPRING WASHERS	4	SUS304	SUS304

DIMENSIONS

Unit:mm

ITEM SIZE	A	B		L	C
		BW	SW		
inch	mm	BW	SW	mm	mm
1/4"	10	13	14	55	18.6
3/8"	12.5	13	18	55	18.6
1/2"	15	17	22	65	22.9
3/4"	20	22	27.5	75	27.7
1"	25	28	34.5	85	33.5
1-1/4"	32	37	43	100	41.3
1-1/2"	38	43	49	110	49.4
2"	50	54	61.5	130	63.7
2-1/2"	65	72	77	160	80.2
3"	80	84	90	185	100.2
4"	100	109	115.5	220	124.2