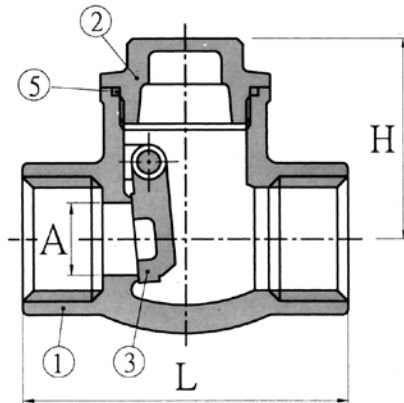


KE-8301

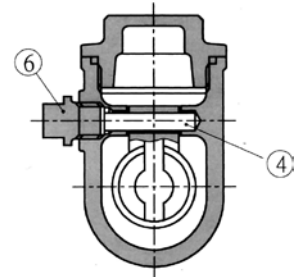
CHECK VALVES, SCREWED ENDS

MATERIAL: CF8M
 INVESTMENT CASTING
 SIZE: 1/4" thru 2"
 WORKING PRESSURE:
 300(200) PSI



DIMENSIONS			
SIZE	A	L	H
1/4"	10	65	45
3/8"	12	65	45
1/2"	15	65	45
3/4"	20	80	55
1"	25	90	60
1-1/4"	32	105	65
1-1/2"	40	120	75
2"	50	140	80

MATERIALS LIST		
NO.	PART NAME	MATERIAL
1	BODY	CF8M
2	COVER	CF8M
3	DISC	CF8M
4	HINGE PIN	316
5	PACKING	TEFLON
6	PLUG	316

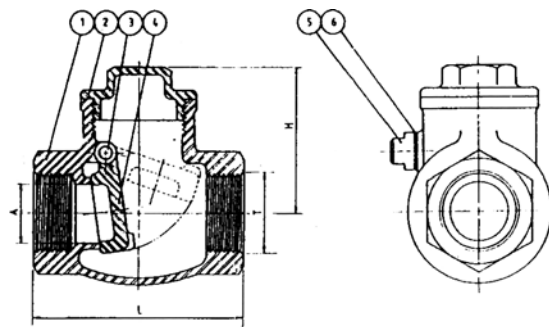


PRESSURE-TEMPERATURE RATINGS:	
300 PSI	500°F MAXIMUM
480 PSI	-20 TO 100°F

KE-8302

CHECK VALVES, SCREWED ENDS

MATERIAL: S.S. 316
 INVESTMENT CASTING
 SIZE: 1/4" thru 2"



DIMENSIONS				
SIZE	A	H	I	T
1/2"	15	45	85	1/2 NPT or PF
3/4"	20	56	80	3/4 NPT or PF
1"	25	62	90	1 NPT or PF
1-1/4"	32	72	105	1-1/4 NPT or PF
1-1/2"	40	73	120	1-1/2 NPT or PF
2"	50	82	140	2 NPT or PF
2-1/2"	65	93	180	2-1/2 NPT or PF
3"	80	104	200	3 NPT or PF

MATERIALS LIST			
NO.	PART NAME	Q'TY	MATERIAL
1	BODY	1	ASTM A-351 GR. CF8M
2	COVER	1	ASTM A-351 GR. CF8M
3	HINGE PIN	1	SS316
4	DISC	1	ASTM A-351 GR. CF8M
5	PLUG	1	SS316
6	PLUG GASKET	1	TEFLON

