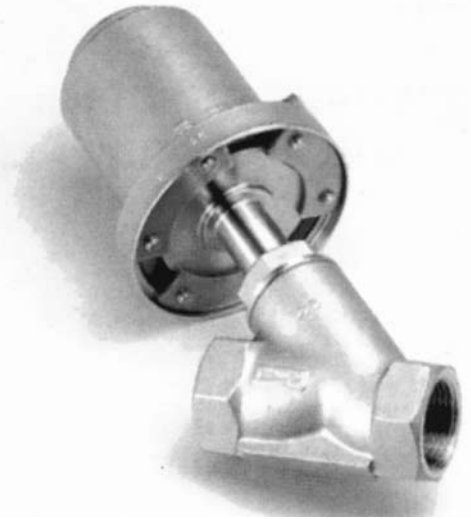


KE-8296

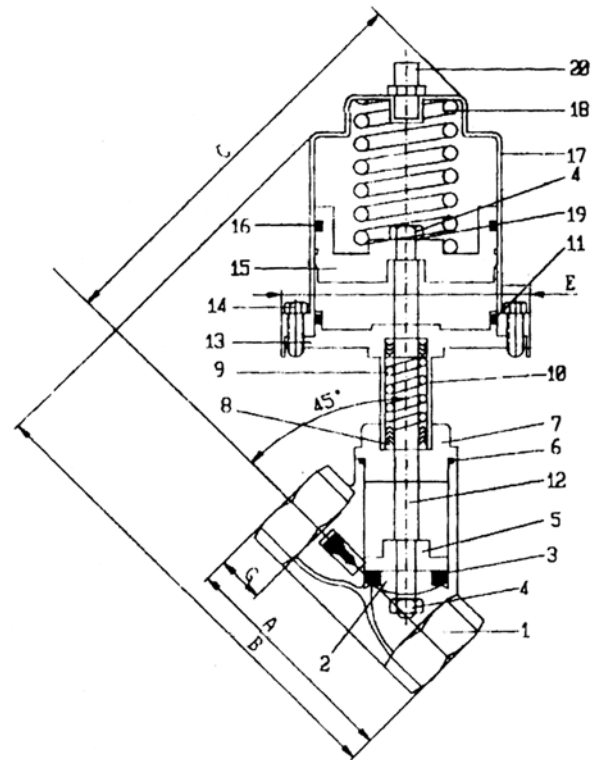
Y-TYPE CYLINDER CONTROL VALVE, SCREWED ENDS

MATERIAL: STAINLESS STEEL 316
 SIZE: 1/2" THRU 2"

SUITABLE FLUIDS: WATER, AIR, STEAM, OIL
 WORKING PRESSURE: 0-20KG/CM²
 WORKING TEMPERATURE: 0°C-180°C



MATERIALS LIST		
NO.	PART NAME	MATERIAL
1	BODY	SS316
2	GASKET	SS316
3	GASKET	PTFE
4	NUT	SS316
5	SEAT	SS304
6	GASKET	TEFLON
7	VALVE NUT	SS316
8	V-GASKET	TEFLON
9	SPRING	SS304
10	CYLINDER	SS316
11	O-RING	NBR
12	SHAFT	SS304
13	FIXED NUT	SS304
14	SCREW	SS304
15	PISTON	ALUMINIUM
16	UHS-RING	NBR
17	CYLINDER	SS316
18	SPRING	STEEL
19	WASHER	SS304
20	BREATHE NUT	SS304



DIMENSIONS						Unit:mm
SIZE	A	B	C	E	G	OPERATING PRESSURE (KG/CM ²)
1/2"	65	195	160	94	11	3-10
3/4"	75	200	165	94	12	3-10
1"	90	210	170	94	14	3-10
1-1/4"	110	245	215	120	22	3-10
1-1/2"	120	250	220	120	22	3-10
2"	150	270	230	120	22	3-10