

KE-8379A

SOLENOID CONTROL VALVE SCREWED & FLANGED ENDS

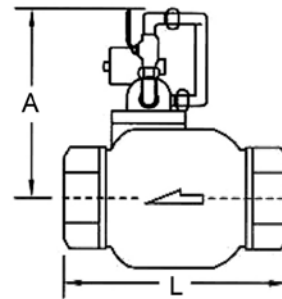
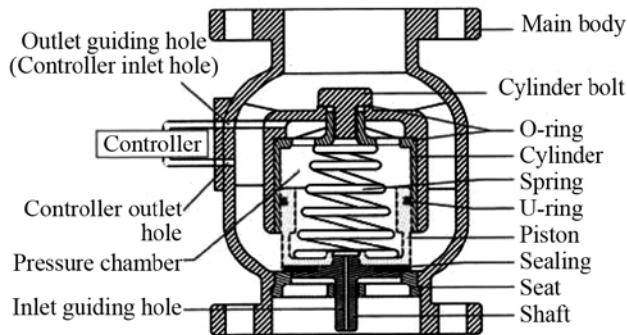
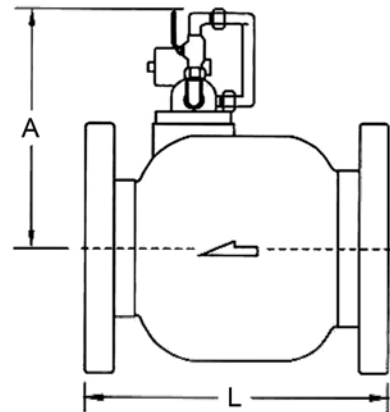
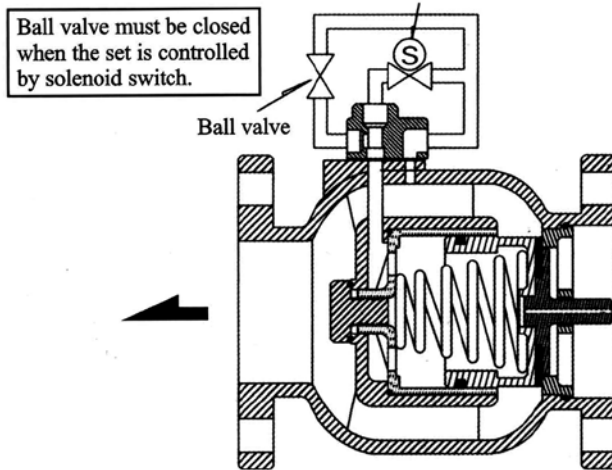
MATERIAL: S.S. 304/ 316, C.I., D.I., BRONZE

SIZE: 1-1/2" thru 14"

WORKING VOLTAGE: DC12V/ 24V &
AC110V/220V, 50/60Hz

WORKING TEMPERATURE: 15~80°C

WORKING PRESSURE: 0.3~10 KG/CM²



MATERIAL LIST					
NO.	PARTS NAME	MATERIAL			
1	MAIN BODY	CAST IRON	DUCTILE	BRONZE	STAINLESS STEEL
2	CYLINDER BOLT	BRASS	BRASS	BRASS	STAINLESS STEEL
3	O-RING	NBR	NBR	NBR	NBR/VITON
4	CYLINDER	BRONZE	BRONZE	BRONZE	STAINLESS STEEL
5	SPRING	STAINLESS STEEL	STAINLESS STEEL	STAINLESS STEEL	STAINLESS STEEL
6	O-RING	NBR	NBR	NBR	NBR/VITON
7	PISTON	BRONZE	BRONZE	BRONZE	STAINLESS STEEL
8	SEALING	NBR	NBR	NBR	NBR/VITON
9	SEAT	BRONZE	BRONZE	BRONZE	STAINLESS STEEL
10	SHAFT	BRONZE	BRONZE	BRONZE	STAINLESS STEEL
11	CONTROLLER	BRASS	BRASS	BRASS	STAINLESS STEEL

DIMENSIONS			
			Unit: mm
SIZE		L	A
S'CW END	1 1/2"	120	170
	2"	200	190
	3"	235	210
FLANGED END	2"	190	190
	2 1/2"	210	195
	3"	225	210
	4"	250	222
	5"	280	245
	6"	310	260
	8"	420	300
	10"	470	335
	12"	530	370
14"	600	415	