

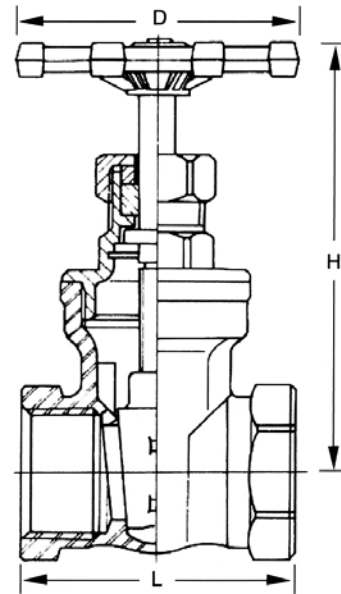
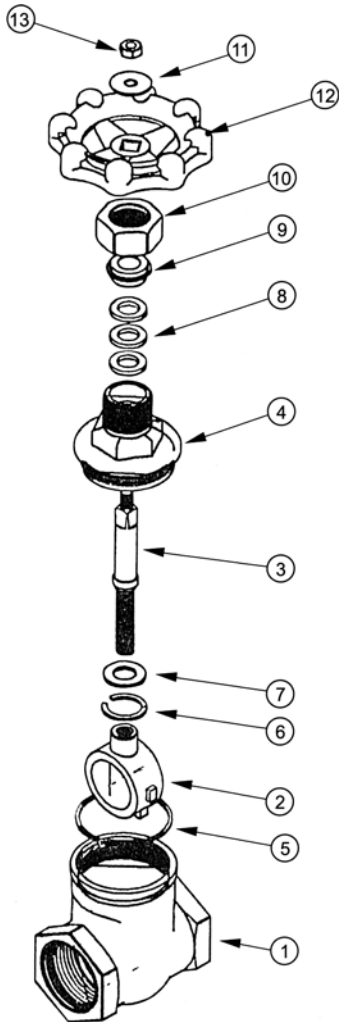
KE-8282A

GATE VALVES, SCREWED ENDS

MATERIAL: S.S. 316 (INVESTMENT CASTING)

PRESSURE RATING: 600 PSI

SIZE: 1/2" THRU 3"



DIMENSIONS			
Unit:mm			
SIZE	L	H	D
1/2"	57	100	62
3/4"	61	100	62
1"	69	123	75
1-1/4"	79	135	75
1-1/2"	82	150	95
2"	95	170	95
2-1/2"	116	260	120
3"	131	295	120

MATERIAL LIST

NO.	PARTS NAME	Q'TY	MATERIAL
1	BODY	1	316,CF8M
2	DISC	1	316,CF8M
3	STEM	1	316
4	CAP	1	316,CF8M
5	GASKET	1	TEFLON
6	SNAP RING	1	304
7	STEM PACKING	1	304
8	PACKING	1set	TEFLON
9	GLAND WASHER	1	304
10	CAP NUT	1	304,316,CF8M
11	SPIN WASHER	1	304
12	HANDLE	1	DUCTILE IRON
13	NUT	1	304