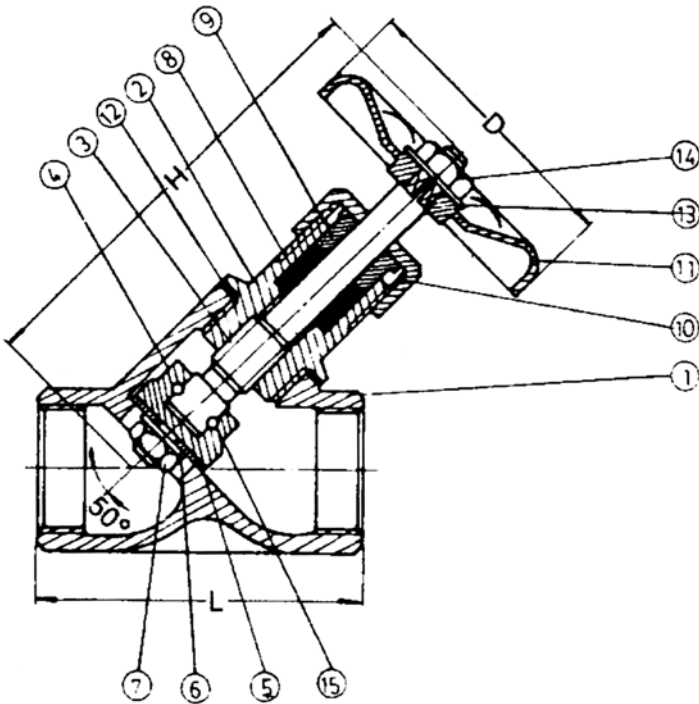


KE-8213

Y-TYPE GLOBE VALVES, SCREWED ENDS

MATERIAL: CF8M
 300 WOG, INVESTMENT CASTING
 SIZE: 1/4" THRU 2"



DIMENSIONS Unit:mm			
SIZE	L	H	D
1/4"	65	100	63
3/8"	65	100	63
1/2"	65	100	63
3/4"	75	125	75
1"	90	130	75
1-1/4"	110	165	100
1-1/2"	120	170	100
2"	150	210	100

MATERIALS LIST		
ITEM	PART NAME	MATERIAL
1	BODY	ASTM A351 GR CF8M
2	BONNET	ASTM A351 GR CF8M
3	STEM	AISI 316
4	DISC	AISI 316
5	SEAT	PTFE
6	WASHER	AISI 304
7	NUT	AISI 304
8	STEM PACKING	PTFE
9	GLAND	AISI 304
10	PACKING NUT	AISI 304
11	HANDWHEEL	MALLEABLE IRON
12	JOINT GASKET	PTFE
13	WASHER	AISI 304
14	NUT	AISI 304
15	DISC PIN	AISI 316