

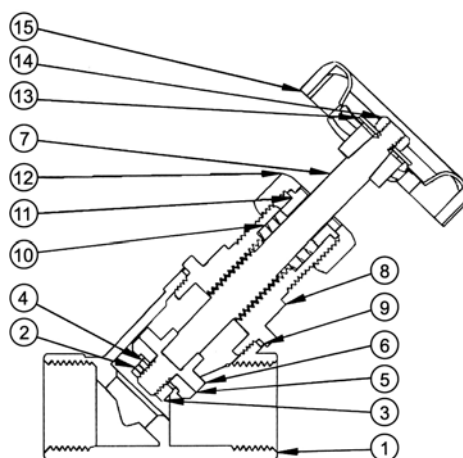
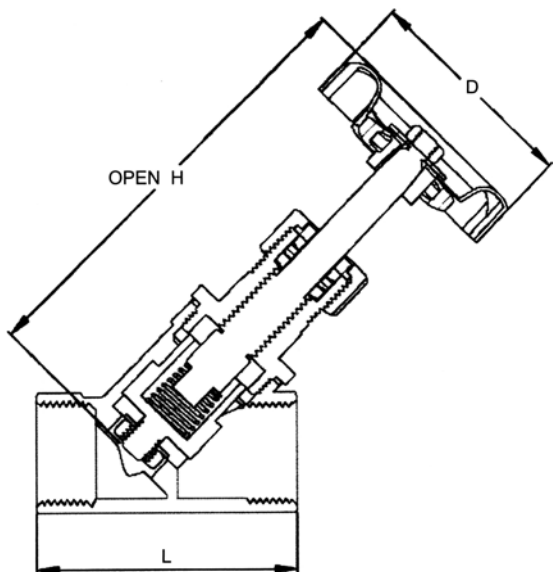
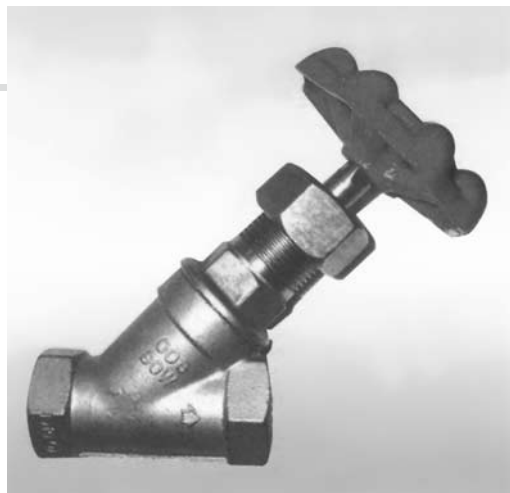
# KE-8213A

## Y-TYPE GLOBE VALVES, SCREWED ENDS

MATERIAL: S.S. 316

PRESSURE RATING: 600 PSI

SIZE: 1/4" thru 2"



DIMENSIONS <small>Unit:mm</small>			
SIZE	L	H	D
1/4"	57	90	62
3/8"	57	90	62
1/2"	61	100	62
3/4"	70	125	62
1"	86	130	75
1-1/4"	100	165	75
1-1/2"	111	195	95
2"	138	210	95

MATERIAL LIST			
NO.	PARTS NAME	Q'TY	MATERIAL
1	BODY	1	316,304
2	PIN	1	316,304
3	NUT	1	304
4	DISC WASHER	1	316,304
5	DISC	1	TEFLON,VITON
6	THRUST WASHER	1	316,304
7	STEM	1	316,304
8	CAP	1	316,304
9	GASKET	1	TEFLON
10	STEM PACKING	1set	TEFLON
11	GLAND	1	316,304
12	CAP NUT	1	316,304
13	WASHER	1	316,304
14	HANDLE NUT	1	304
15	HANDLE	1	DUCTILE IRON