

# KE-8295A

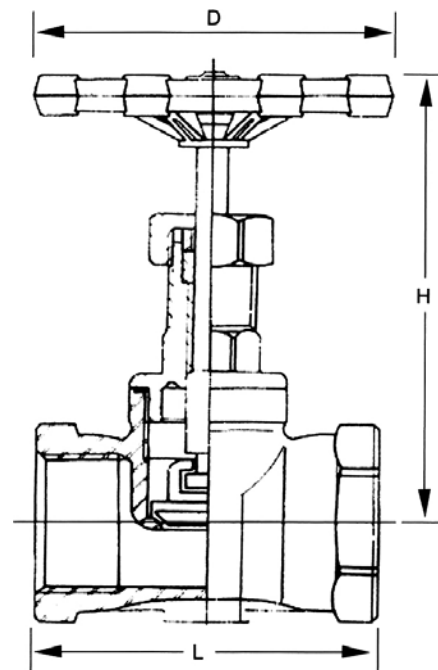
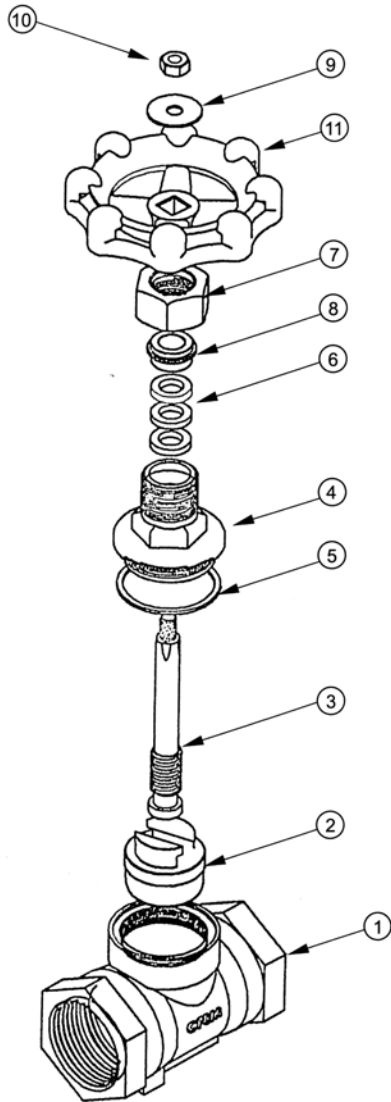
## GLOBE VALVES, SCREWED ENDS

RIISING STEM TYPE

MATERIAL: S.S. 316

PRESSURE RATING: 600 PSI

SIZE: 1/2" thru 2"



DIMENSIONS			
Unit:mm			
SIZE	L	H	D
1/2"	63	106	62
3/4"	70	106	62
1"	77	116	75
1-1/4"	87	122	75
1-1/2"	100	144	95
2"	110	145	95

### MATERIAL LIST

NO.	PARTS NAME	Q'TY	MATERIAL
1	BODY	1	316,304
2	DISC	1	316,304
3	STEM	1	316,304
4	CAP	1	316,304
5	GASKET	1set	TEFLON
6	PACKING	1	TEFLON
7	CAP NUT	1	316,304
8	GLAND WASHER	1	304
9	SPIN WASHER	1	304
10	NUT	1	304
11	HANDLE	1	DUCTILE IRON