

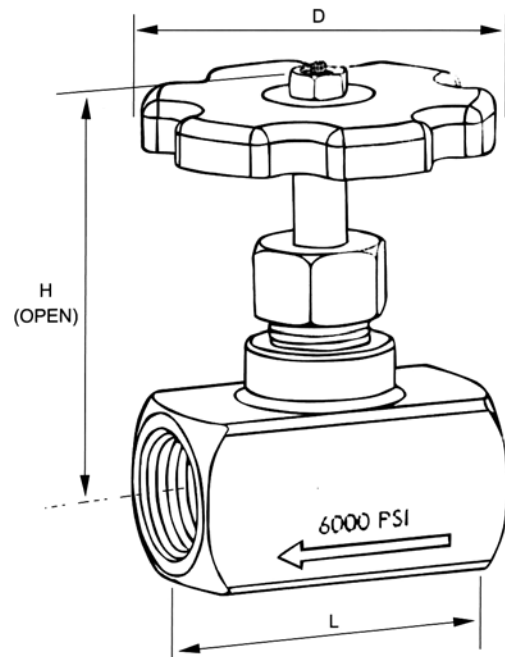
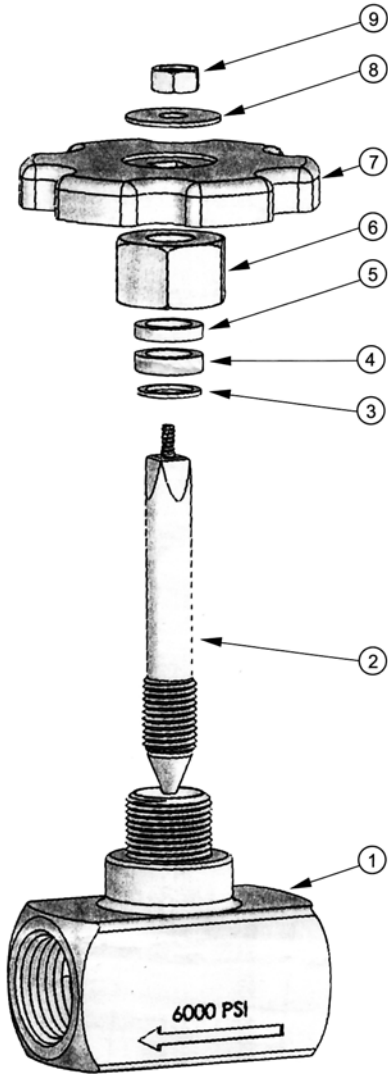
KE-8313A

NEEDLE VALVES, SCREWED ENDS

MATERIAL: S.S. 316 (INVESTMENT CASTING)

WORKING PRESSURE: 6000 PSI

SIZE: 1/4" THRU 1"



DIMENSIONS			
Unit:mm			
SIZE	L	H	H
1/4"	48	80	56
3/8"	52	82	56
1/2"	56	90	56
3/4"	62	98	66
1"	74	105	66

MATERIAL LIST			
NO.	PARTS NAME	Q'TY	MATERIAL
1	BODY	1	316
2	STEM	1	316
3	STEM PACKING	1	304
4	PACKING	1	TEFLON
5	GLAND WASHER	1	304
6	GLAND NUT	1	304
7	HANDLE	1	304
8	SPIN WASHER	1	304
9	NUT	1	304