

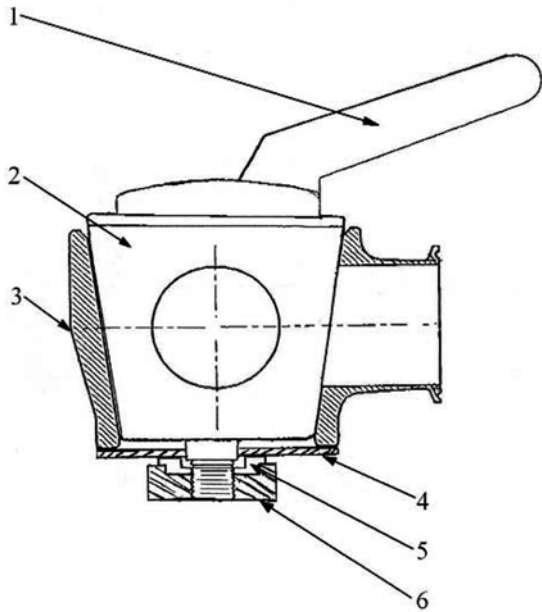
# KE-8198S

## 2-WAY, 3-WAY PLUG VALVE (FOOD & SANITARY GRADE) CLAMP ENDS, BUTT-WELD ENDS & MALE ENDS

MATERIAL: S.S. 316

SIZE: 1" thru 3"

TEST PRESSURE: 150PSI



### MATERIAL LIST

ITEM	PART NAME	MATERIAL	
1	HANDLE	S.STEEL	S.STEEL
2	PLUG	S.STEEL	RUBBER
3	BODY	S.S. 316	S.S. 316
4	PLATE	S.S. 316	S.S. 316
5	GASKET	PLASTIC	PLASTIC
6	NUT	S.S. 304	S.S. 304

### DIMENSIONS

Unit:mm

SIZE	CLAMP ENDS				SIZE	MALE ENDS			
	A	B	C	H		A	B	C	H
1"	115.9	117.0	58.3	128.4	1"	115.9	117.0	58.3	128.4
1-1/2"	147.6	142.7	61.0	163.4	1-1/2"	147.6	142.7	61.0	163.4
2"	173.0	144.2	72.4	178.3	2"	173.0	144.2	72.4	178.3
2-1/2"	209.6	150.6	86.2	223.4	2-1/2"	209.6	150.6	86.2	223.4
3"	239.7	180.7	90.6	241.4	3"	239.7	180.7	90.6	241.4

SIZE	BUTT WELD ENDS				SIZE	BUTT WELD ENDS			
	A	B	C	H		A	B	C	H
1"	184.2	117.0	58.3	128.4	1"	90.5	117.0	58.3	128.4
1-1/2"	198.4	142.7	61.0	163.4	1-1/2"	122.2	142.7	61.0	163.4
2"	223.8	144.2	72.4	178.3	2"	147.6	144.2	72.4	178.3
2-1/2"	260.4	150.6	86.2	223.4	2-1/2"	184.2	150.6	86.2	223.4
3"	290.5	180.7	90.6	241.4	3"	214.4	180.7	90.6	241.4