

KE-8216C & KE-8216W

CHECK VALVE (FOOD & SANITARY GRADE) CLAMP ENDS & BUTT-WELD ENDS

MATERIAL: S.S. 304/ S.S 316/ S.S 316L
SIZE: 1" thru 4"

PRESSURE:

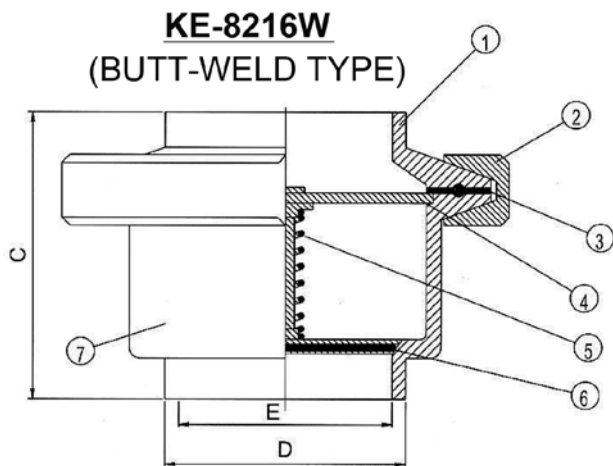
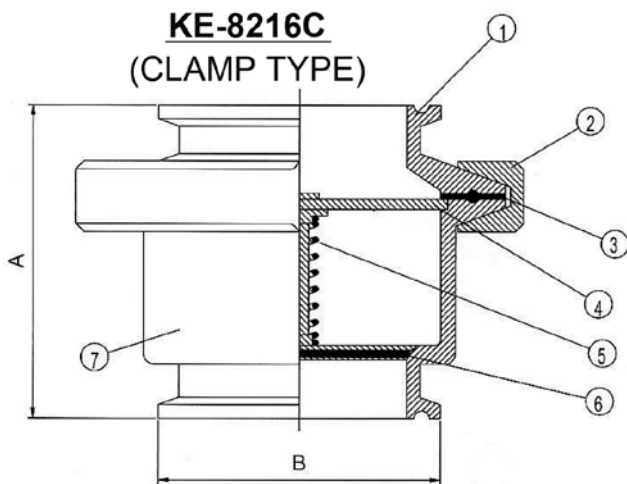
- 1"-3" : MAX. 1.5 BAR
- 4" : MAX. 10 BAR



KE-8216C



KE-8216W



MATERIAL LIST

NO.	DESCRIPTION	MATERIAL
1	CAP	SUS-304,316,316L
2	CLAMP	SUS-304
3	GASKET	VITON, EPDM, SILICONE.
4	PLATE	SUS-304,316,316L
5	SPREING	SUS-304,316
6	SEAL	VITON, EPDM, SILICONE.
7	BODY	SUS-304,316,316L

DIMENSIONS

SIZE	Unit:mm				
	A	B	C	D	E
1"	87.4	50.5	62.0	25.4	22.2
1.1/2"	94.0	50.5	68.6	38.1	34.8
2"	95.5	64.0	71.1	50.8	47.5
2.1/2"	100.1	77.5	74.6	63.5	60.2
3"	106.4	91.0	81.0	76.2	72.9
4"	132.8	119.0	101.0	101.6	97.4