

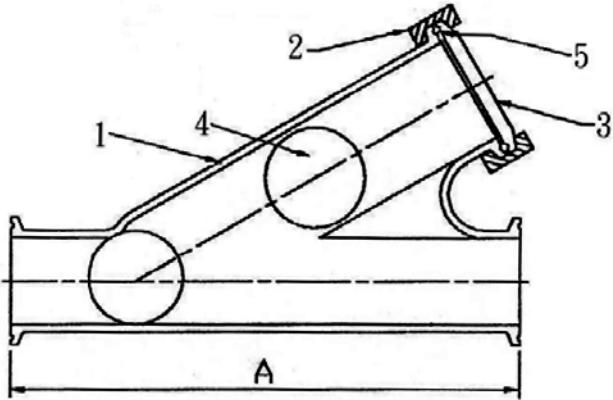
KE-8216Y

Y-TYPE CHECK VALVES, CLAMP ENDS (FOOD & SANITARY GRADE)

MATERIAL: S.S. 316

SIZE: 1-1/2" thru 3"

CONNECTION: 3A STANDARD



MATERIALS LIST		
NO	PART NAME	MATERIAL
1	BODY	SS 316
2	CLAMP	SS 304
3	END CAP	SS 316
4	BALL	SILICONE /SS304
5	GASKET	SILICONE

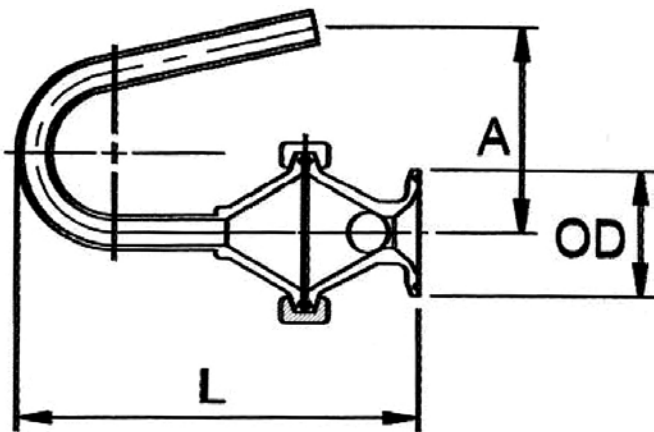
DIMENSIONS		Unit:mm
SIZE	A	
1-1/2"	218.3	
2"	256.4	
2-1/2"	292.1	
3"	314.3	

KE-8324SC

AIR RELEASE VALVES, CLAMP ENDS (FOOD & SANITARY GRADE)

MATERIAL: S.S. 316

SIZE: 1"



DIMENSIONS				Unit:mm
SIZE	OD	A	L	
1"	50.5	82	130	