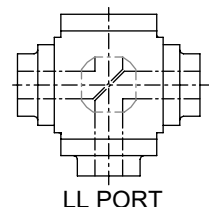
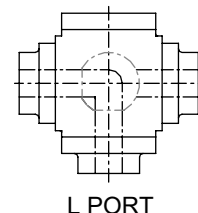
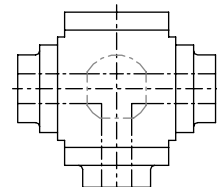
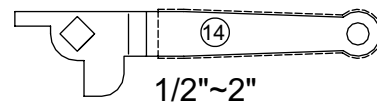
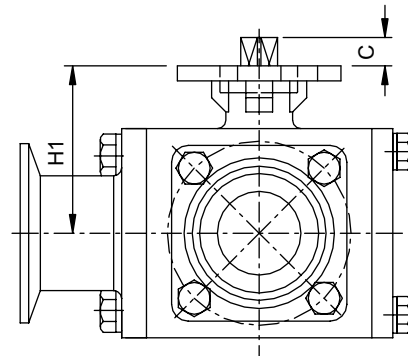
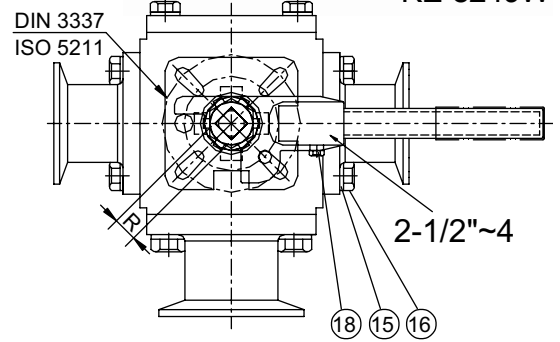
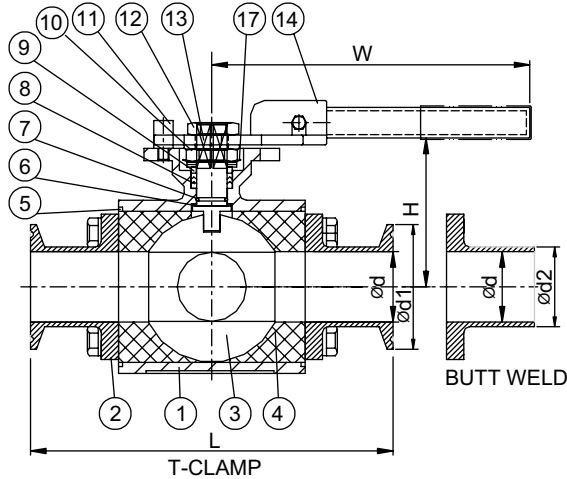


KE-8249C & KE-8249W

3/4-WAY BALL VALVE (FOOD & SANITARY GRADE) CLAMP & BUTT-WELD ENDS

MATERIAL: CF8M(3A STANDARD)
WITH ISO 5211 DIRECT ASSEMBLY TOP FLANGE
SIZE: 1/2" thru 4"



MATERIAL LIST

ITEM	PARTS NAME	MATERIAL	Q'TY
1	BODY	A351-CF8M	1
2	CAP	A351-CF8M	4
3	BALL	A351-CF8M	1
4	SEAT	PTFE	4
5	GASKET	PTFE	2
6	THRUST WASHER	PTFE	1
7	O-RING	VITON	1
8	STEM PACKING	PTFE	1
9	RING	AISI 304	1
10	BEVEL WASHER	AISI 301	2
11	STOP PIN	AISI 316	1
12	NUT	AISI 304	2
13	STEM	AISI 316	1
14	HANDLE	AISI 304	1
15	SPRING WASHER	AISI 304	16
16	BOLT	AISI 304	16
17	PREVALING DEVICE	AISI 304	1
18	NUT	AISI 304	1

DIMENSIONS

SIZE	DN	ISO-5211	W	H	H1	C	L	Ød	Ød1	Ød2	R	Unit:mm
												TOQUE IN/LBS
1/2"	15	F03/F04	121	78	44.5	9	118	9.5	25.4	12.7	9	79
3/4"	20	F03/F04	121	82	48	9	127	15.8	25.4	19.1	9	85
1"	25	F04/F05	137	90	59	11	152.4	22.2	50.4	25.4	11	110
1-1/2"	40	F05/F07	182	110	72	14	175	35	50.4	38.2	14	290
2"	50	F05/F07	182	114.7	82	14	180	47.6	63.9	50.8	14	680
2-1/2"	65	F07/F10	370	108	100	17	228	60.2	77.5	63.4	17	1060
3"	80	F10/F12	400	134	125.5	23	260	73	90.9	76.2	22	1770
4"	100	F10/F12	400	140	132.5	23	318	97.4	118.9	101.6	22	1900