

KE-8333C & KE-8333W

SIGHT GLASS (FOOD & SANITARY GRADE) CLAMP ENDS & BUTT-WELD ENDS

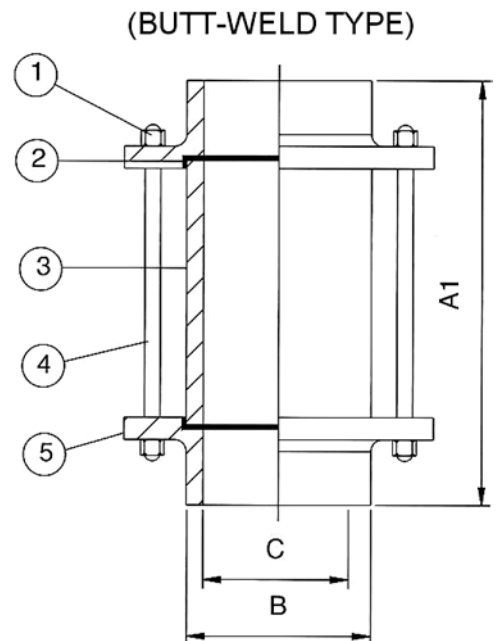
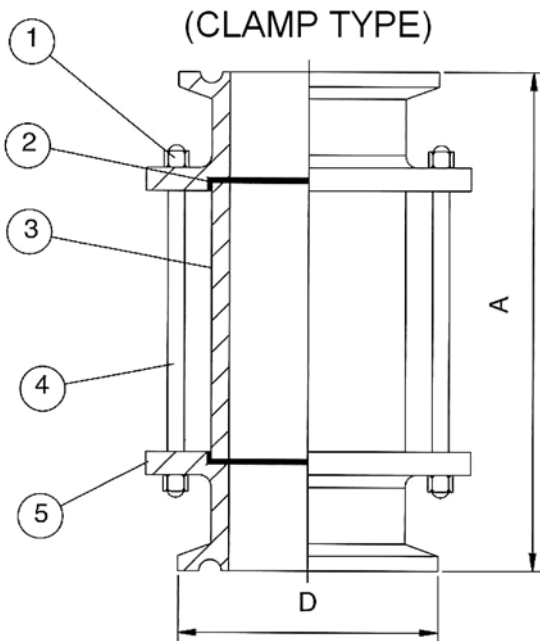
MATERIAL: S.S. 304/ S.S 316/ S.S 316L
SIZE: 1" thru 4"



KE-8333C



KE-8333W



MATERIAL LIST		
NO.	DESCRIPTION	MATERIAL
1	SCREW NUT	SUS 304
2	SEAL	VITON, EPDM, SILICONE.
3	GLASS	NON-TOXIC
4	SCREW BOLT	SUS 304
5	BODY	SUS 304, 316, 316L

DIMENSIONS					
Unit:mm					
SIZE	A	A1	B	C	D
1"	146.1	120.7	25.4	22.2	50.5
1-1/2"	146.1	120.7	38.1	34.8	50.5
2"	146.1	120.7	50.8	47.5	64.0
2-1/2"	184.2	158.8	63.5	60.2	77.5
3"	184.2	158.8	76.2	72.9	91.0
4"	190.6	158.8	101.6	97.4	119.0