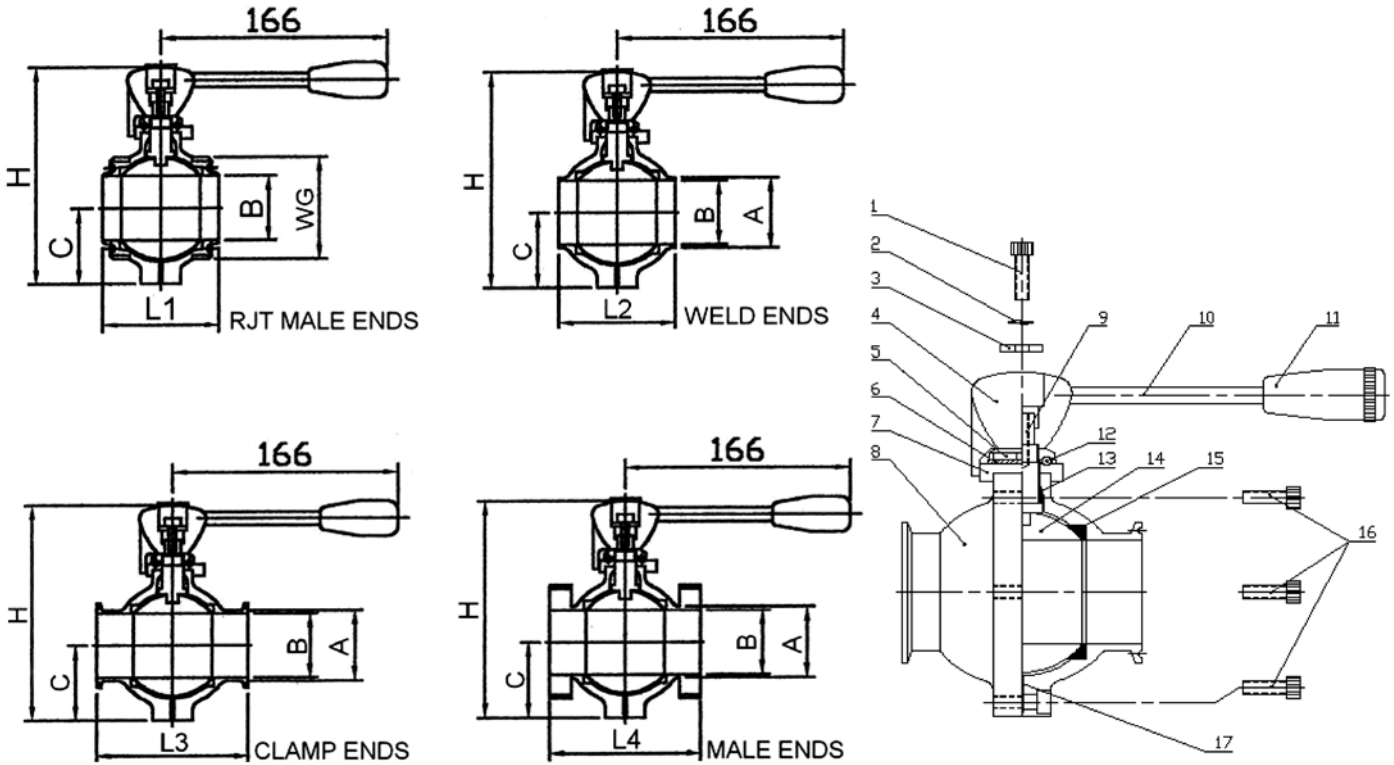


KE-8429S

**BALL VALVE
(FOOD & SANITARY GRADE)
RJT MALE ENDS, BUTT-WELD ENDS,
CLAMP ENDS & MALE ENDS**

MATERIAL: S.S. 316
SIZE: 1" THRU 4"
CONNECTION: 3A STANDARD



| DIMENSIONS | | | | | | | | | |
|------------|-------|-------|------|------|-----|-----|-----|-----|-----|
| SIZE | WG | A | B | C | H | L | | | |
| | | | | | | L1 | L2 | L3 | L4 |
| 1" | 45.7 | 25.4 | 22.2 | 38 | 124 | 70 | 95 | 95 | 95 |
| 1-1/2" | 58.4 | 38.1 | 34.9 | 47 | 142 | 76 | 101 | 101 | 101 |
| 2" | 72.5 | 50.8 | 47.6 | 56 | 160 | 85 | 110 | 110 | 110 |
| 2-1/2" | 85.3 | 63.5 | 60.3 | 65.5 | 179 | 99 | 124 | 124 | 124 |
| 3" | 98 | 76.2 | 73 | 75.5 | 199 | 118 | 143 | 143 | 143 |
| 4" | 123.2 | 101.6 | 97.6 | 91.5 | 231 | 152 | 177 | 177 | 177 |

| MATERIALS LIST | | | | | |
|----------------|----------------|----------|----|----------------|----------|
| NO | PART NAME | MATERIAL | NO | PART NAME | MATERIAL |
| 1 | INNER HEX. NUT | SS 304 | 10 | HANDLE LEVER | SS 304 |
| 2 | SPRING WASHER | SUS | 11 | PLASTIC KNOB | PLASTIC |
| 3 | WASHER | SS 304 | 12 | SS BALL | SS 304 |
| 4 | HANDLE TOP | SS 304 | 13 | STEM SEAT | TEFLON |
| 5 | STEM NUT | SS 304 | 14 | BALL | SS 316 |
| 6 | SEAT | SS 304 | 15 | SEAT | TEFLON |
| 7 | POSITION PLATE | SS 304 | 16 | INNER HEX. NUT | SS 304 |
| 8 | BODY | SS 316 | 17 | BODY SEAT | SILICONE |
| 9 | STEM | SS 316 | | | |