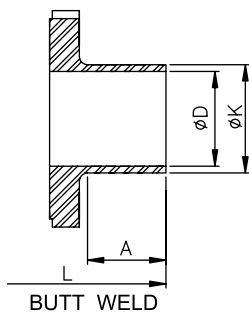
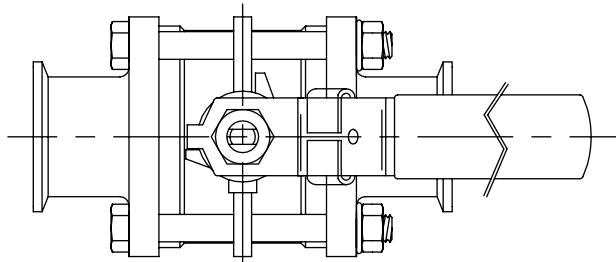
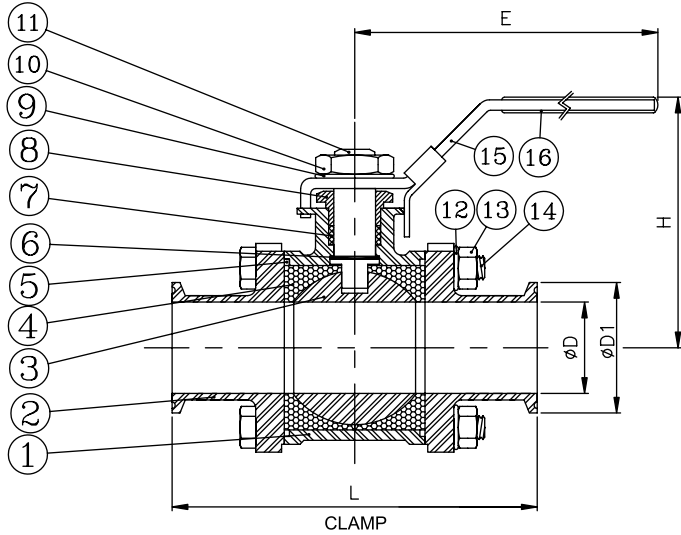


KE-8439C & KE-8439W

3-PC TYPE BALL VALVE (FOOD & SANITARY GRADE) CLAMP & BUTT-WELD ENDS

MATERIAL: SS 304/ 316/ 316L
FULL BORE, 1000WOG
SIZE: 1/2" THRU 4"



KE-8439C



KE-8439W

MATERIAL LIST

NO.	PARTS NAME	MATERIAL	Q'TY
1	BODY	AISI 304/316/316L	1
2	CAP	AISI 304/316/316L	2
3	BALL	AISI 304/316/316L	1
4	SEAT	PTFE/TFM 1600	2
5	GASKET	PTFE	2
6	THRUST WASHER	PTFE	1
7	STEM PACKING	PTFE	1
8	GLAND NUT	AISI 304	1
9	HANDLE WASHER	AISI 304	1
10	HANDLE NUT	AISI 304	1
11	STEM	AISI 316	1
12	BOLT WASHER	AISI 304	4,8,12
13	NUT	AISI 304	4,8,12
14	BOLT	AISI 304	4,6
15	HANDLE	AISI 304	1
16	PLASTIC COVER	PLASTIC	1

DIMENSIONS

SIZE		Ø D±0.5	ØD1	ØK	A	L±1.0	H±3.0	E±3.0	Unit:mm
DN	IN								TORQUE
									INCH/LBS
15	1/2"	9.5	25.4	12.7	18	89	52	106	40
20	3/4"	15.9	25.4	19.1	21	101	55	106	64
25	1"	22.2	50.4	25.4	25	114	70	135	130
40	1-1/2"	35.0	50.4	38.2	28	140	89	190	195
50	2"	47.6	63.6	50.8	25	156	97	190	250
65	2-1/2"	60.2	77.5	63.4	35	197	140	263	400
80	3"	73.0	90.8	76.2	43	229	152	263	600
100	4"	97.4	118.5	101.6	37	241	184	285	1200