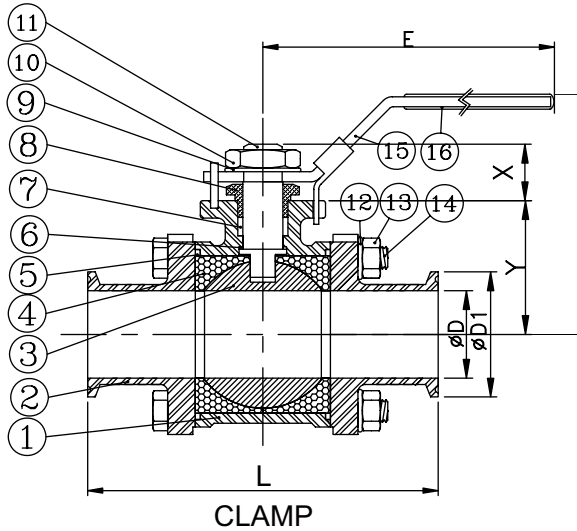


# KE-8439CM & KE-8439WM

## 3-PC TYPE BALL VALVE (FOOD & SANITARY GRADE) CLAMP & BUTT-WELD ENDS

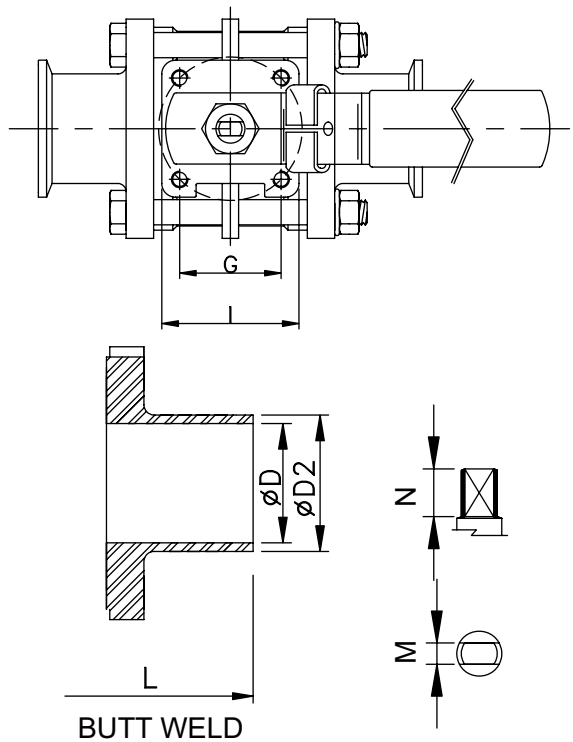
WITH ISO 5211 TOP FLANGE  
FULL BORE 1000 PSI WOG  
SIZE: 1/2" thru 4"



KE-8439CM



KE-8439WM



MATERIAL LIST			
NO.	PARTS NAME	Q'TY	MATERIAL
1	BODY	1	AISI 304 / 316 / 316L
2	CAP	2	AISI 304 / 316 / 316L
3	BALL	1	AISI 304 / 316 / 316L
4	SEAT	2	PTFE / TFN 1600
5	BODY SEAT	2	PTFE
6	THRUST WASHER	1	PTFE
7	STEM PACKING	1	PTFE
8	GLAND NUT	1	AISI 304
9	STEM WASHER	1	AISI 304
10	STEM NUT	10	AISI 304
11	STEM	11	AISI 304 / 316
12	BOLT WASHER	4,8,12	AISI 304
13	NUT	4,8,12	AISI 304
14	BOLT	4,6	AISI 304
15	HANDLE	1	AISI 304
16	PLASTIC COVER	1	PLASTIC

DIMENSIONS															Unit:mm	
MM	SIZE IN	ISO-5211		ØD±0.2	L±1.0	H±3.0	E±3.0	ØD1	ØD2	G	I	X	Y	M	N	TORQUE
																INCH/LBS
15	1/2"	F03	36	9.5	89	65	134	25.5	12.7	25.5	37	18	29	5	13	40
20	3/4"	F03	36	15.9	101	68	134	25.5	19.1	25.5	37	19	33	5	13	65
25	1"	F04	42	22.2	114	71	134	50.4	25.4	29.7	42	19.5	37.5	6.5	14	130
40	1-1/2"	F05	50	35.0	140	86	195	50.4	38.1	35.4	50	27.5	48.5	8.5	17.5	195
50	2"	F05	50	47.6	156	93	195	63.6	50.4	35.4	50	25.5	58.5	8.5	17.5	250
65	2-1/2"	F07	70	60.2	197	140	262	77.5	63.4	49.5	72	37	79.5	12	27.5	400
80	3"	F07	70	73.0	229	155	262	90.8	76.2	49.5	72	42	83.5	12	27.5	600
100	4"	F10	102	97.4	241	180	290	118.5	101.3	72.1	95	49.5	110.5	16	35.5	1200