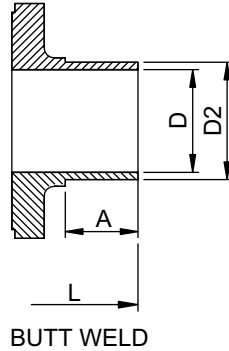
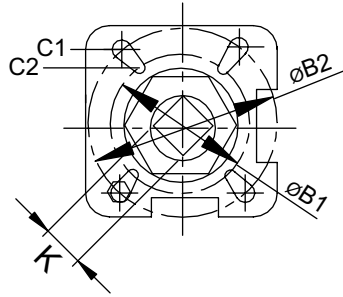


# KE-8439CMD & KE-8439WMD

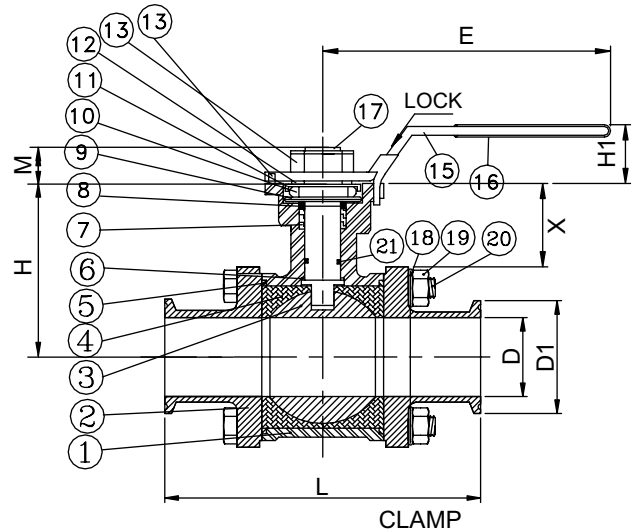
## 3-PC TYPE BALL VALVE (FOOD & SANITARY GRADE) CLAMP & BUTT-WELD ENDS

WITH ISO 5211 DIRECT ASSEMBLY TOP FLANGE  
MATERIAL: S.S. 304/ 316/ 316L  
FULL BORE 1000 PSI WOG  
SIZE: 1/2" thru 4"



### MATERIAL LIST

NO.	PARTS NAME	MATERIAL	Q'TY
1	BODY	AISI 304/316/316L	1
2	CAP	AISI 304/316/316L	2
3	BALL	AISI 304/316/316L	1
4	SEAT	PTFE/TFM1600	2
5	GASKET	PTFE	1
6	THRUST PACKING	PTFE	1
7	STEM PACKING	PTFE	1
8	RING	AISI 304	2
9	BELLEVILLE WASHER	AISI 304	2
10	STEM NUT	AISI 304	1
11	LOCK WASHER	AISI 304	1
12	RING	AISI 304	1
13	HANDEL NUT	AISI 304	1
14	STOP PIN	AISI 304	1
15	HANDEL	AISI 304	1
16	HANDEL SLEEVE	PLASTIC	1
17	STEM	AISI 316	1
18	SPREING WASHER	AISI 304	4,8,12
19	BOLT NUT	AISI 304	4,8,12
20	BOLT	AISI 304	4,6
21	O-RING	VITON	1



### DIMENSIONS

Unit:mm

SIZE		ISO-5211	D±0.1	L±2.0	H	M±1.0	ØB1	ØB2	K	D1	E	D2	H1	A	C1	C2	INCH /LBS	X
DN	INCH																	
15	1/2"	F03-F04	9.5	89	37	9	36	42	9	25.4	143	12.7	26	18	Ø6	Ø6	90	15.5
20	3/4"	F03-F04	15.9	101	47	9	36	42	9	25.4	143	19.1	26	21	Ø6	Ø6	100	20.6
25	1	F04-F05	22.2	114	57.2	11	42	50	11	50.4	160	25.4	34	25	Ø6	Ø8	140	29
40	1-1/2"	F05-F07	35	140	78.2	14	50	70	14	50.4	187	38.2	43	28	Ø8	Ø10	240	39
50	2"	F05-F07	47.6	156	86.2	14	50	70	14	63.8	187	50.8	43	25	Ø8	Ø10	480	42
65	2-1/2"	F07-F10	60.3	197	109.2	17	70	102	17	77.6	310	63.5	53	35	Ø10	Ø12	650	48
80	3"	F07-F10	73	229	117.7	17	70	102	17	91	310	76.2	53	43	Ø10	Ø12	1150	48.7
100	4"	F10-F12	97.4	241	141.2	22	102	125	22	119	400	100.6	56	37	Ø12	Ø14	1400	34