

# KE-8439PCI & KE-8439PWI

## 3-PC TYPE POLISHED BALL VALVE (FOOD & SANITARY GRADE) CLAMP & BUTT-WELD ENDS

MATERIAL: S.S. 316

1000 PSI WOG

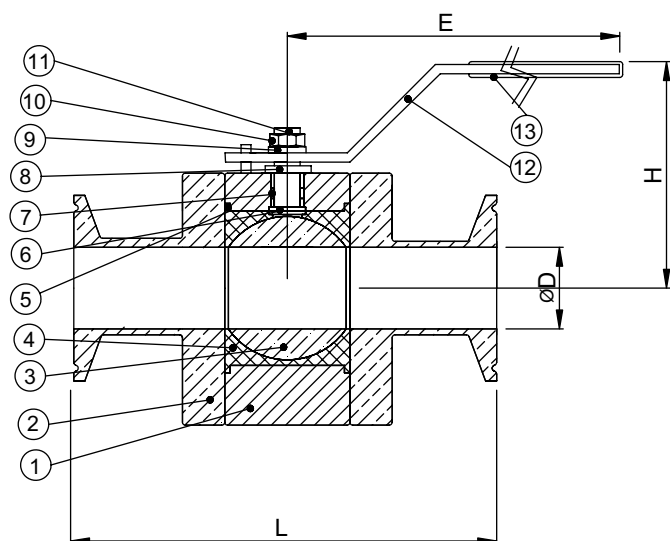
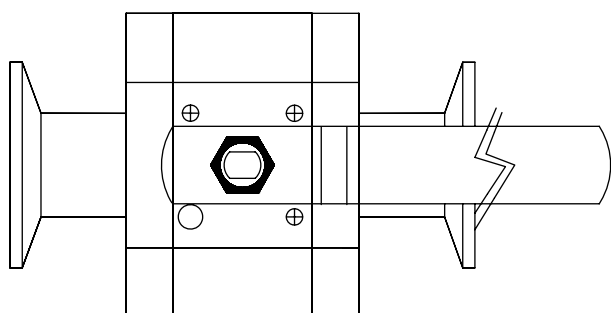
SIZE: 1/2" thru 3"



KE-8439PCI

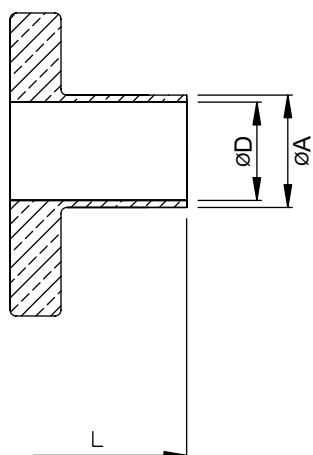


KE-8439PWI



### MATERIAL LIST

NO.	PARTS NAME	MATERIAL
1	BODY	AISI 316
2	CAP	AISI 316
3	BALL	AISI 316
4	SEAT	PTFE
5	BODY SEAT	PTFE
6	THRUST WASHER	PTFE
7	STEM PACKING	PTFE
8	GLAND NUT	AISI 304
9	STEM	AISI 304
10	STEM NUT	AISI 304
11	STEM WASHER	AISI 316
12	HANDLE	AISI 304
13	PLASTIC COVER	PLASTIC



### DIMENSIONS

SIZE		Unit:mm				
mm	IN	ØD±0.5	L±1.0	H±2.0	E±3.0	A±0.5
15	1/2	9.5	89	61	137	12.7
20	3/4	15.9	101	57	137	19.2
25	1	22.2	114	60	137	25.4
40	1-1/2	35	140	90	198	38.2
50	2	47.6	156	108	198	50.8
65	2-1/2	60.3	197	140	263	63.4
80	3	73	229	155	263	76.2