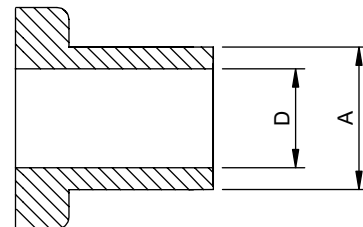
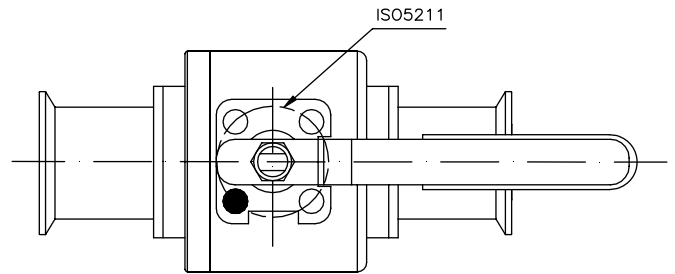
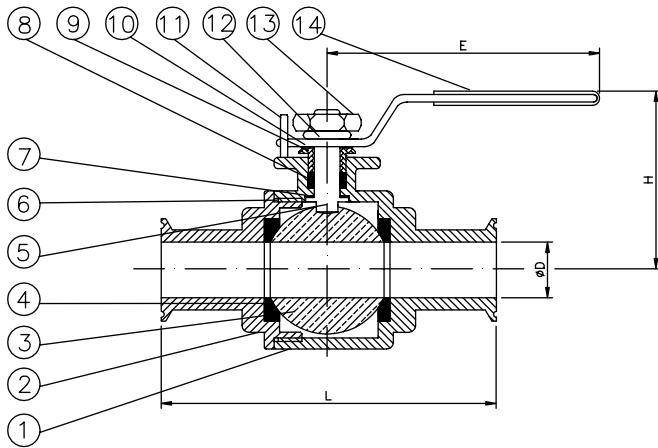


KE-8439PCM

2-PC TYPE POLISHED BALL VALVE, (FOOD & SANITARY GRADE) CLAMP & BUTT-WELDED ENDS

MATERIAL: SS 316
WITH ISO 5211 MOUNTING TOP FLANGE
WORKING PRESSURE: 1000 PSI WOG
SIZE: 1/2" thru 2"



BUTT WELD

MATERIAL LIST

NO.	PARTS NAME	MATERIAL	Q'TY
1	BODY	AISI 316	1
2	END CAP	AISI 316	1
3	BALL	AISI 316	1
4	SEAT	PTFE (RTFE)	2
5	STEM	AISI 316	1
6	JOINT GASKET	TEFLON	1
7	THRUST WASHER	PTFE (RTFE)	1
8	STEM PACKING	TELON	2
9	GLAND NUT	AISI 304	1
10	HANDLE	AISI 304	1
11	STOP PIN	AISI 304	1
12	WASHER	AISI 304	1
13	STEM NUT	AISI 304	1
14	PLASTIC COVER	PLASTIC	1

DIMENSIONS

Unit:mm

SIZE	L±0.1	E±3.0	H±3.0	ØD±0.1	ØA±0.1	ISO5211
1/2"	80	106	50	9.5	12.7	F03
3/4"	100	131	65	15.9	19.1	F03
1"	116	131	70	22.2	25.4	F04
1-1/2"	132	191	95	35.0	38.2	F05
2"	140	198	110	47.6	50.8	F05