

KE-8816A , KE-8816C KE-8816M & KE-8816W

BUTTERFLY VALVES (FOOD & SANITARY GRADE) CLAMP ENDS, WELD ENDS & MALE ENDS

MATERIAL: S.S. 304/ S.S 316/ S.S 316L

SIZE: 1" thru 4"

PRESSURE: 145PSI@68°F

TEMPERATURE: -15°F TO 200°F(-10°C TO 95°C)



KE-8816A



KE-8816C

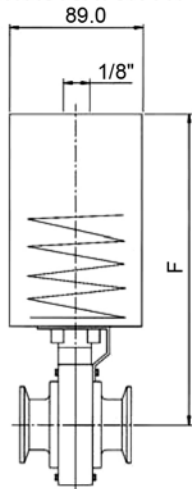


KE-8816M

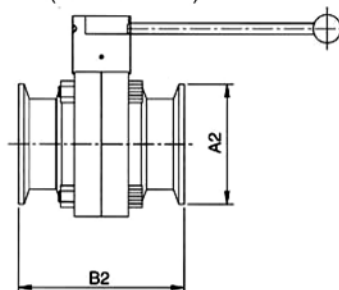


KE-8816W

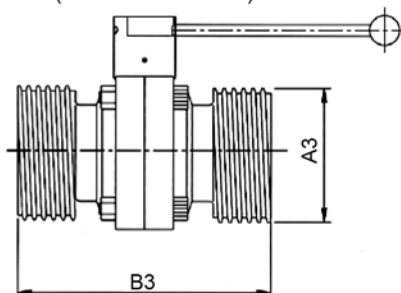
KE-8816A
(WITH ACTUATOR TYPE)



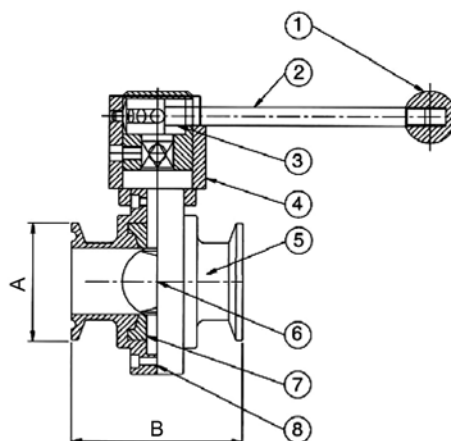
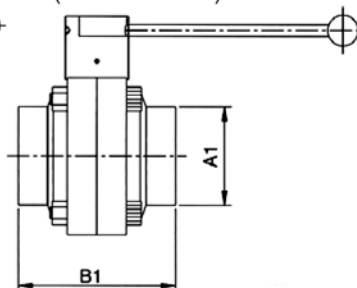
KE-8816C
(CLAMP TYPE)



KE-8816M
(MALE ENDS TYPE)

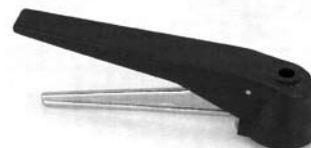


KE-8816W
(WELDED TYPE)



Pressure:

- 4 Bar Air to Air, Full Open And Close
- 5.5 Bar Air to Spring, Full Open And Close
- Suitable For 1" thur 4" Butterfly to Welded Type, Clamp Type, Male Ends Type.



DIMENSION LIST							Unit:mm
SIZE	A			B			F
	A1	A2	A3	B1	B2	B3	
1"	25.4	50.5	37.13	47.5	88.9	122.2	233.0
1.1/2"	38.1	50.5	50.65	47.5	88.9	134.9	238.0
2"	50.8	64.0	64.17	52.3	95.3	163.5	245.0
2.1/2"	63.5	77.5	77.67	53.8	96.8	174.6	247.0
3"	76.2	91.0	91.19	61.7	104.7	195.3	254.0
4"	101.6	119.0	119.25	79.2	122.2	228.6	271.0

MATERIALS LIST		
NO	DESCRIPTION	MATERIAL
1	KNOB	PLASTIC
2	SHAFT-BAR	SUS-304
3	SPRING	SUS-304
4	HOLDER	SUS-304
5	BODY	SUS-304, 316, 316L
6	DISC	SUS-304, 316, 316L
7	GASKET	SILICONE, EPDM
8	BOLT	SUS-304