

# KE-8262

## STEAM TRAP, SCREWED ENDS

PRESSURE RATING: PN40 (ANSI 600LB)

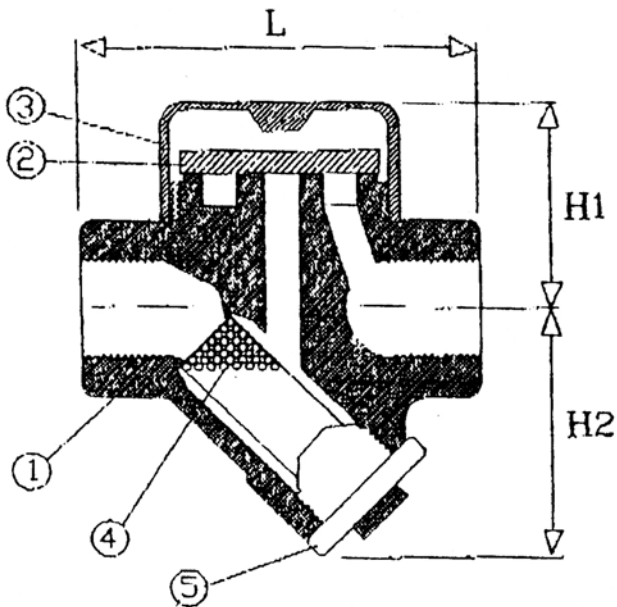
WORKING PRESSURE: 0.5 KG/CM<sup>2</sup>

TEST PRESSURE: BODY 80 KG/CM<sup>2</sup>

TEMPERATURE: MAX. 250°C

MATERIAL: S.S. 316 & C.S. WCB  
(INVESTMENT CASTING)

SIZE: 3/8" thru 1"



DIMENSIONS			
Unit:mm			
SIZE	L	H1	H2
3/8"	78	46	53
1/2"	78	46	53
3/4"	88	49	57
1"	98	51	63

## MATERIALS LIST

No.	PART NAME	MATERIAL	
1	BODY	C.S. WCB	A351-CF8M
2	DISC	SUS 420	SUS 420
3	CAP	C.S.WCB	A351-CF8M
4	SCREEN	SUS 304	SUS 304
5	STRAINER CAP	C.S.WCB	A351-CF8M

## CAPACITY

SIZE	kg/h			
	3/8"	1/2"	3/4"	1"
1kg	150	190	290	450
2kg	180	220	360	510
3kg	200	250	400	720
4kg	210	270	440	780
5kg	220	295	460	850
7kg	260	320	500	980
10kg	290	350	530	1100
12kg	320	380	560	1160
16kg	460	530	850	1190
20kg	510	570	880	1250
32kg	570	600	930	1350
35kg	600	620	950	1460
40kg	650	690	980	1600